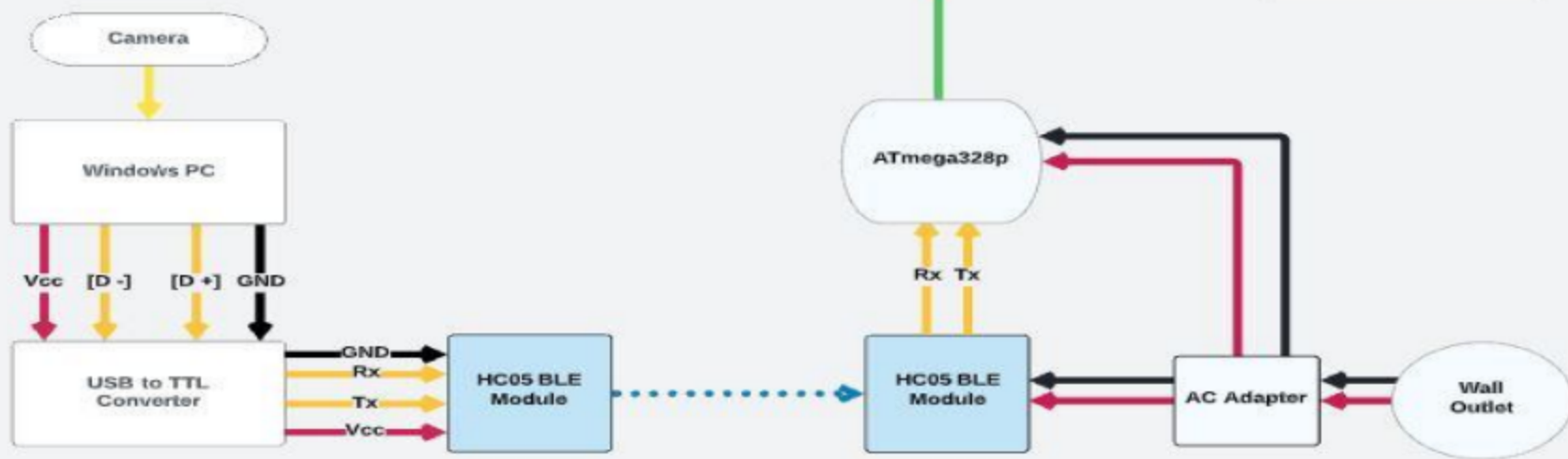
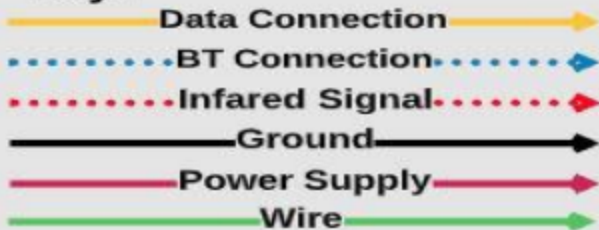
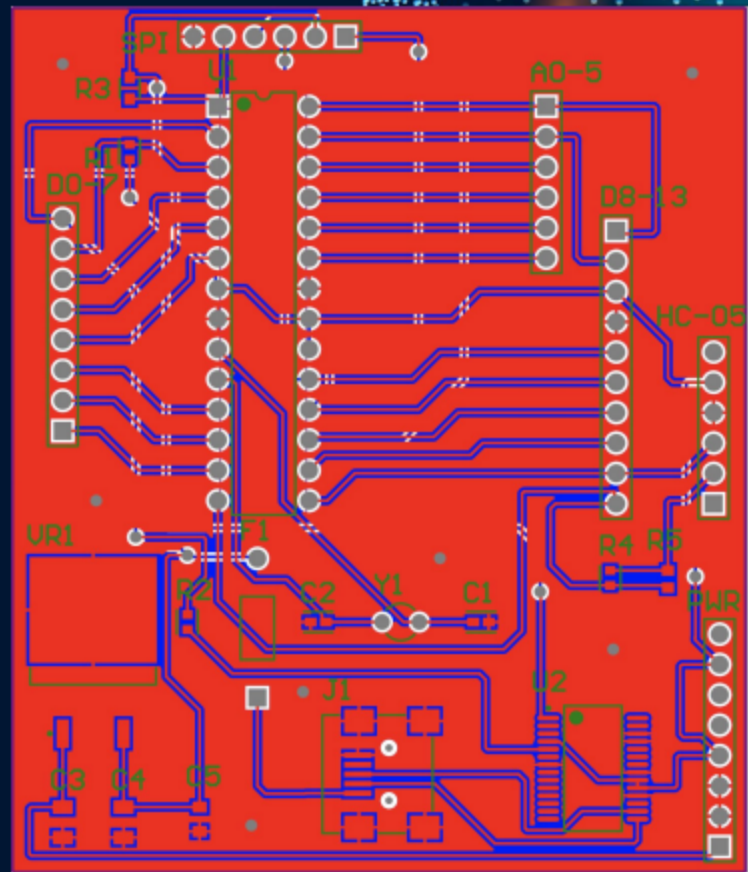
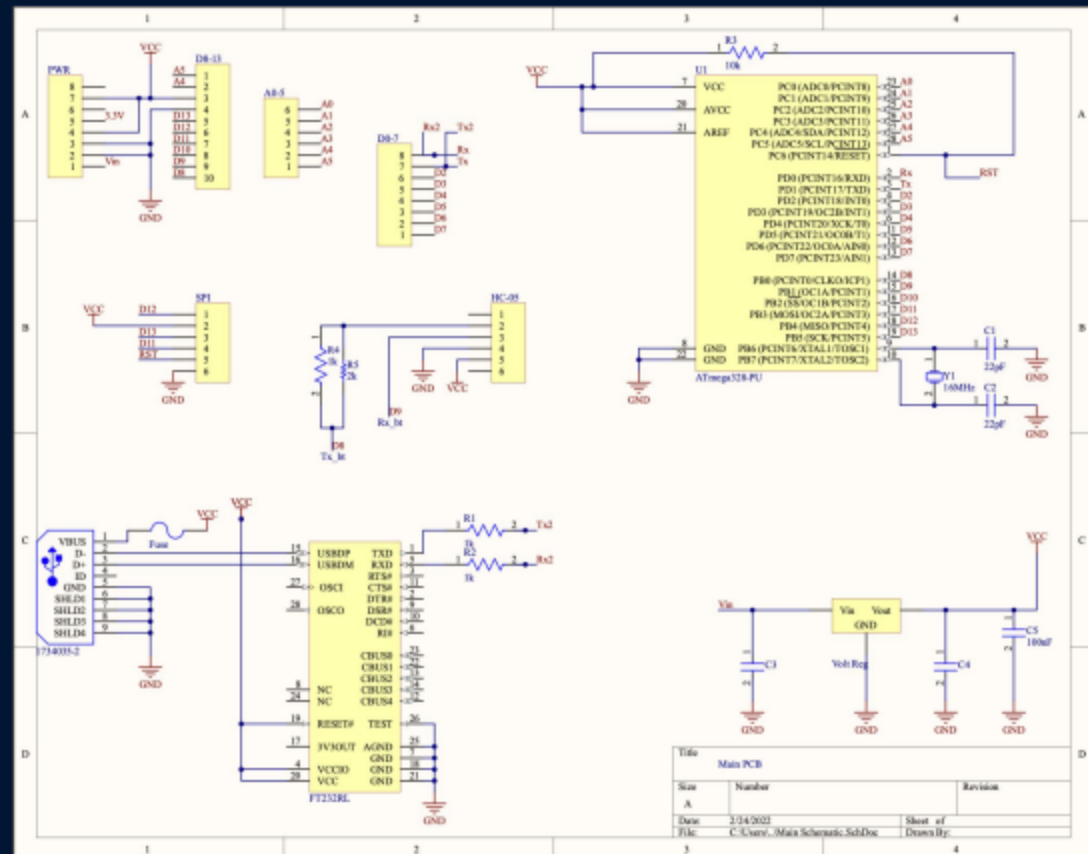


# Current Hardware Block Diagram

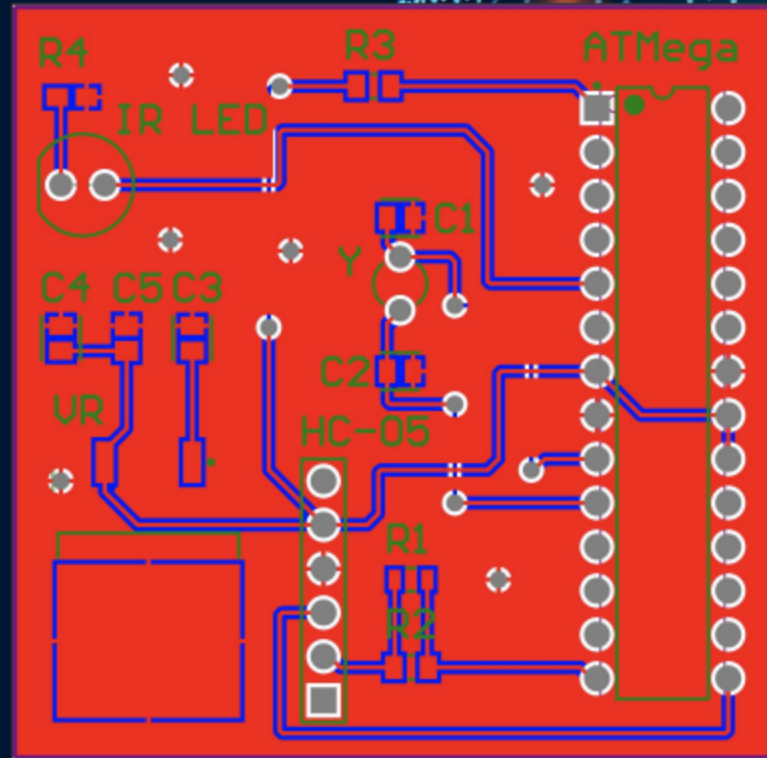
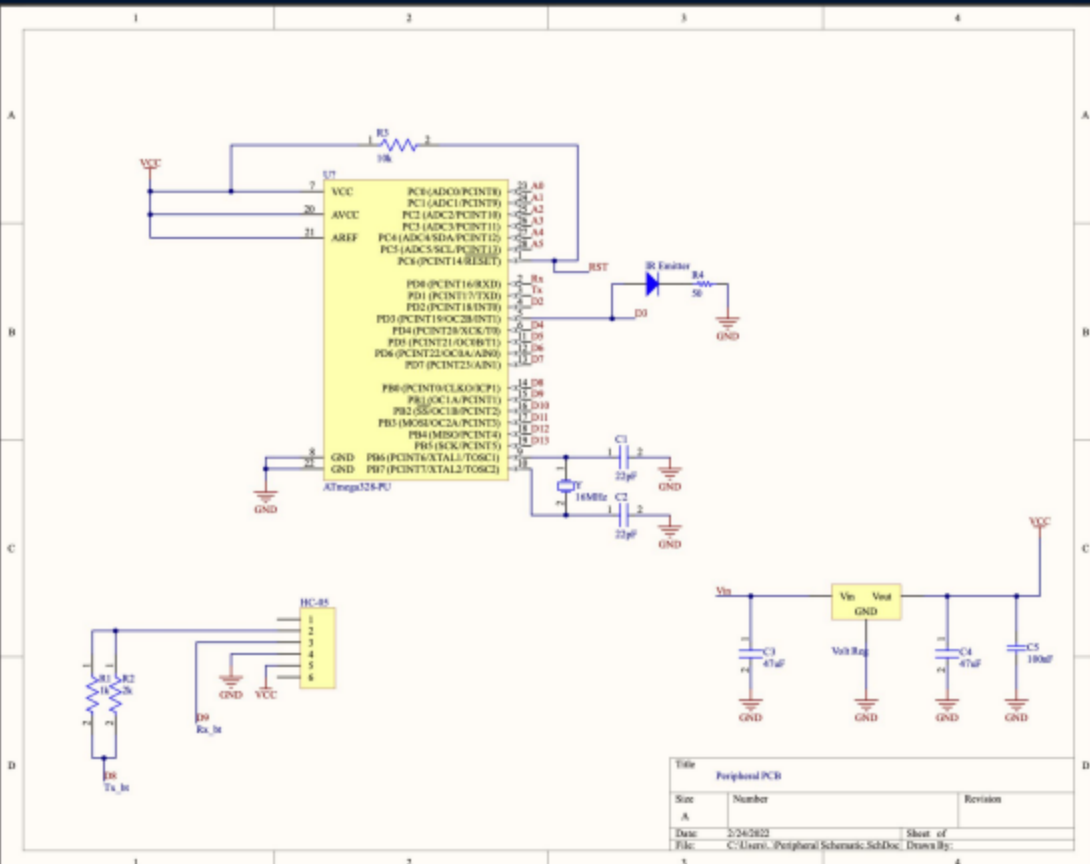
Key:



# Main PCB



# Peripheral PCB



# FT232RL PCB

