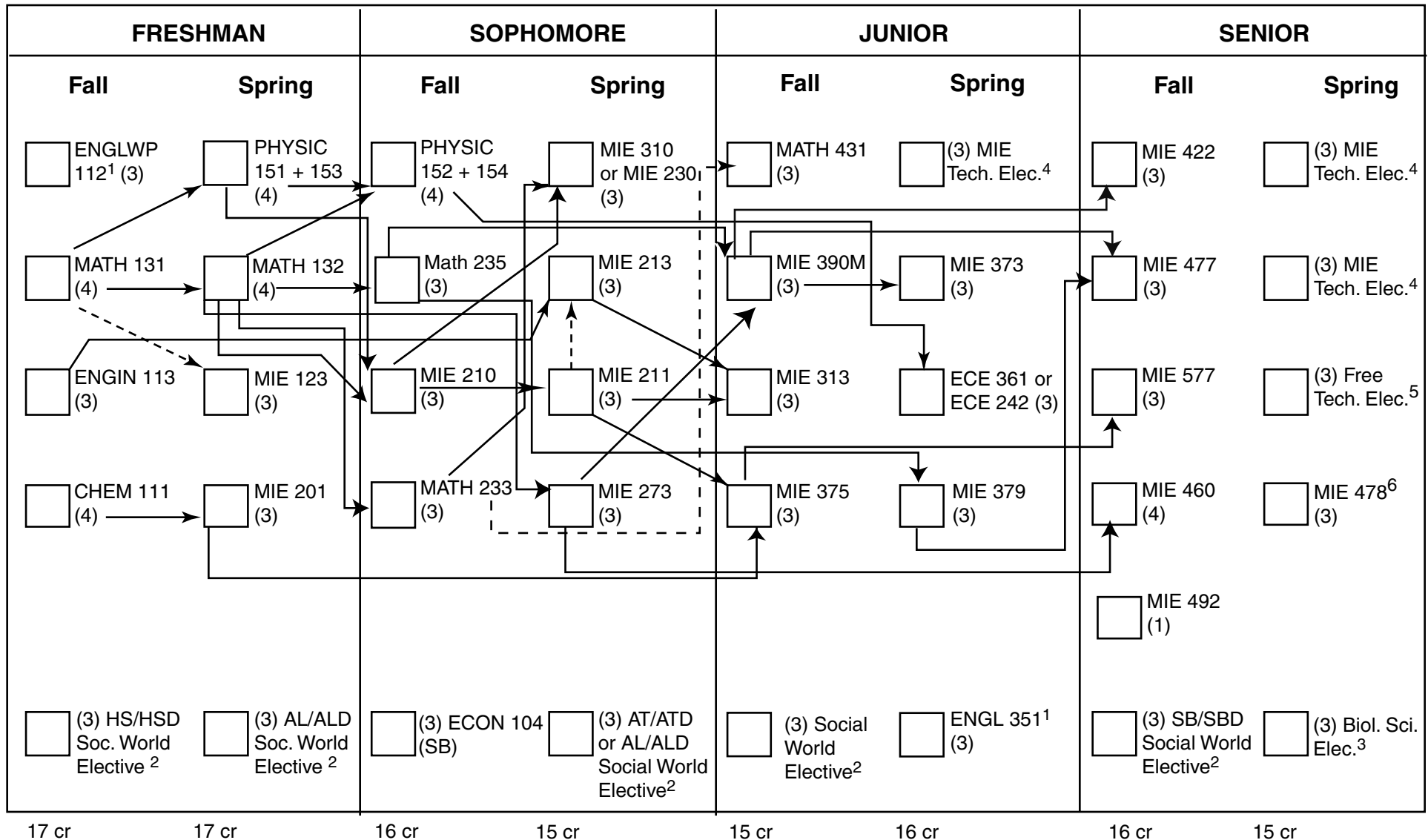


**Mechanical & Industrial Engineering Department**  
**INDUSTRIAL ENGINEERING CURRICULUM (IE '03 - 04)**  
 Curriculum for the Classes of 2003 - 2004 entering major after 01/2001



-----> = Pre-requisite that may be taken concurrently

————> = Pre-requisite

\*Not all courses are offered in the indicated semester each year. Students are advised to plan their program after consulting the list of anticipated course offerings.

**Please Note: Graduation Clearance requires a 2.00 University Cum and a 2.00 MAJOR Cum.**

Total: 127 credits  
 revised 2/5/01  
 Cat. 2001/02

## IE Major Flowchart Notes:

**STUDENT NOTE:** The flowchart is not the official student record. It should be used in conjunction with your university transcript. Consult the undergraduate catalog for more detailed explanations of department, college, and university graduation requirements.

Notes: 1. **College Writing Requirement:** ENGLWP 112 and ENGL 351 are required.

2. **Social World Requirement:** 6 COURSES (one from each group)
- |        |  |
|--------|--|
| AL/ALD | HS/HSD or AL/ALD or AT/ATD or SB/SBD or I/ID |
| SB/SBD | AL/ALD or AT/ATD or I/ID                     |
| HS/HSD | SB/SBD or I/ID                               |

Two of the six Social World courses must have the Social and Cultural Diversity designation (ALD, ATD, HSD, SBD, ID).

**Social World Depth Requirement:** In addition to the University requirements, the college requires that each student complete two Social World courses within the same academic department and that one of these two courses be at or above the 200 level. These courses are generally chosen so that they also satisfy part of the university social world requirement, e.g. Psych 100 and Psych 308.

3. **Biological Science Requirement:** Any course having the Biological Science (BS) designation.
4. **MIE Technical Electives** must be **MIE** courses at or above the 300 level, except MIE 520 and 586. Either MIE 585 or 587 may be used BUT NOT BOTH.
5. **Free Elective.** Any course offered at the University except those that are a prerequisite for a required course, e.g. Math 104.
6. All MIE required courses (or permission of the instructor) are prerequisites for MIE 478.

Revised 2/5/01