

1350 Valves

This section contains illustrated parts breakdowns for the following 6890 GC valves and related components:

- Valve Box Assembly
- Valve Driver Assembly
- Valve Actuator Assembly
- Valco W-series Minivalve
- Nickel Catalyst Assembly

Valve box assembly

Description	Part no.	Qty.
1. Screw, M4 × 8 mm, Torx T-20, chromeplated	0515-2711	6
2. Valve box cover	G1580-00030	1
3. Valve box insulation, top	G1580-00050	1
4. Insulation retainer plate	G1580-00040	1
5. Hex nut, insulation plate	0535-0025	2
6. Screw, M3 × 30 mm, Torx T-10, chromeplated htr (blk)	0515-2525	4
7. Heater block	G1580-20520	2
8. Standoff, valve box	G1580-20500	2
9. Valve box bottom plate	G1580-00010	1
10. Screw, M3 × 8 mm, Torx T-10, chromeplated	0515-2726	2
11. Heater/Sensor harness cable clamp	1400-0015	2
12. Heater/Sensor assembly	G1580-61140	2
13. Cable-tie strap (not shown)	1400-0249	4
14. Aluminum tube (split/splitless inlet only) (not shown)	18900-20320	1
15. In-line filter (sample in line) (not shown)	0101-0532	1

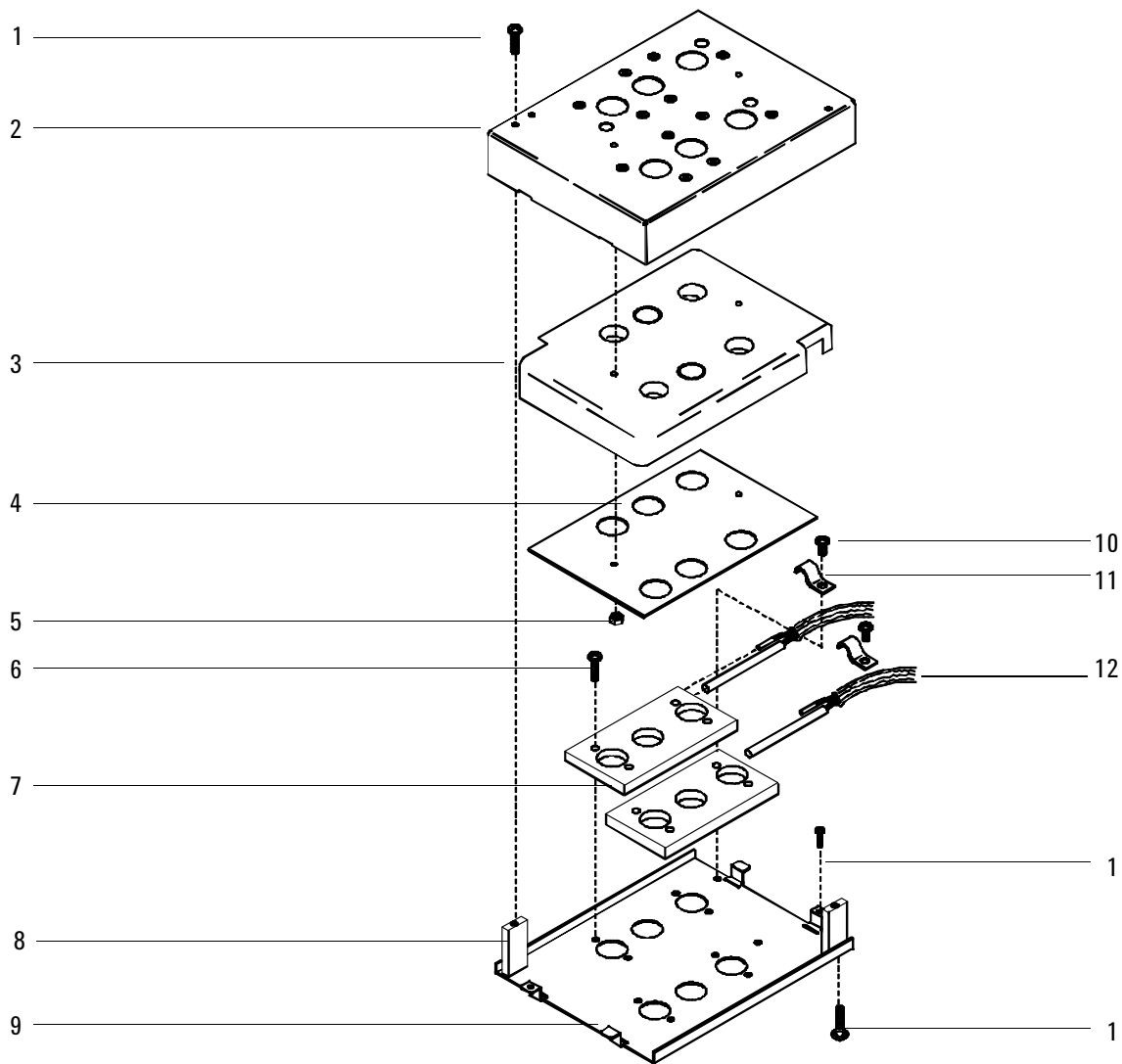


Figure 1350-1 Valve box assembly

Valve driver assembly

Description	Part no.	Qty.
1. Valve driver bracket	G1580-00070	1
2. Captured screw, M4 × 12 mm, Torx T-20	1390-1023	2
3. Valve driver wiring harness	G1530-60660	1
4. Pneumatic tubing, 1/8-inch OD, Teflon	0890-0746	8
5. Adapter fitting, 10/32 × 1/16-inch hose barb	0100-1205	8
6. Standoff (included with valves)	—	8
7. 4-way Solenoid valves	G1580-61090	4
8. O-ring (with valves and end plate kit)	—	10
9. Solenoid valve end plate kit	05890-61097	1
10. Screw, skt hd cap	0515-1214	2
11. Elbow fitting, 1/4-inch, male	0100-1632	2
12. Exhaust tubing, 1/4-inch OD, 120 inch	0890-1489	1
13. Heater cable assembly (not shown)	G1530-60790	1

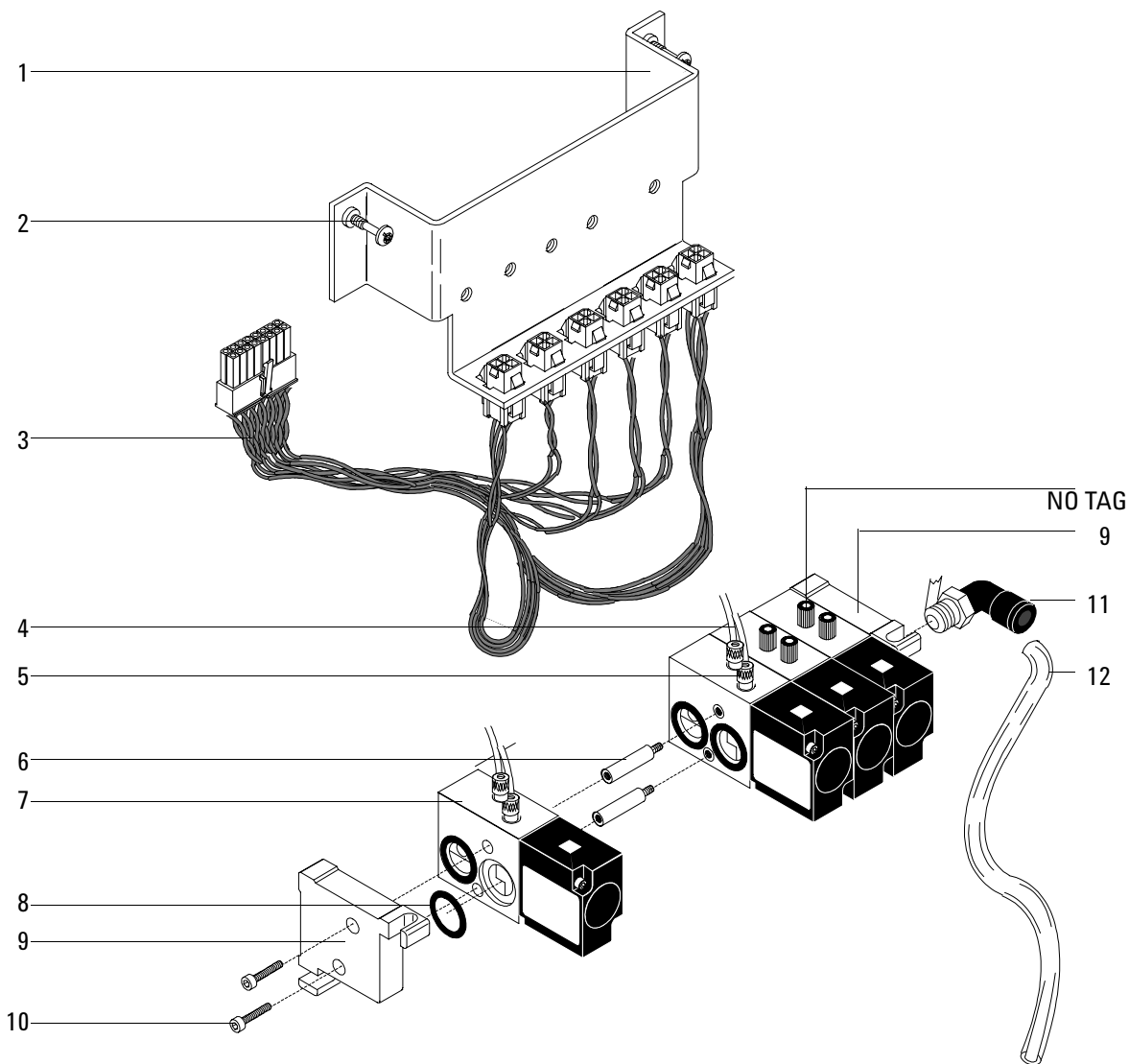
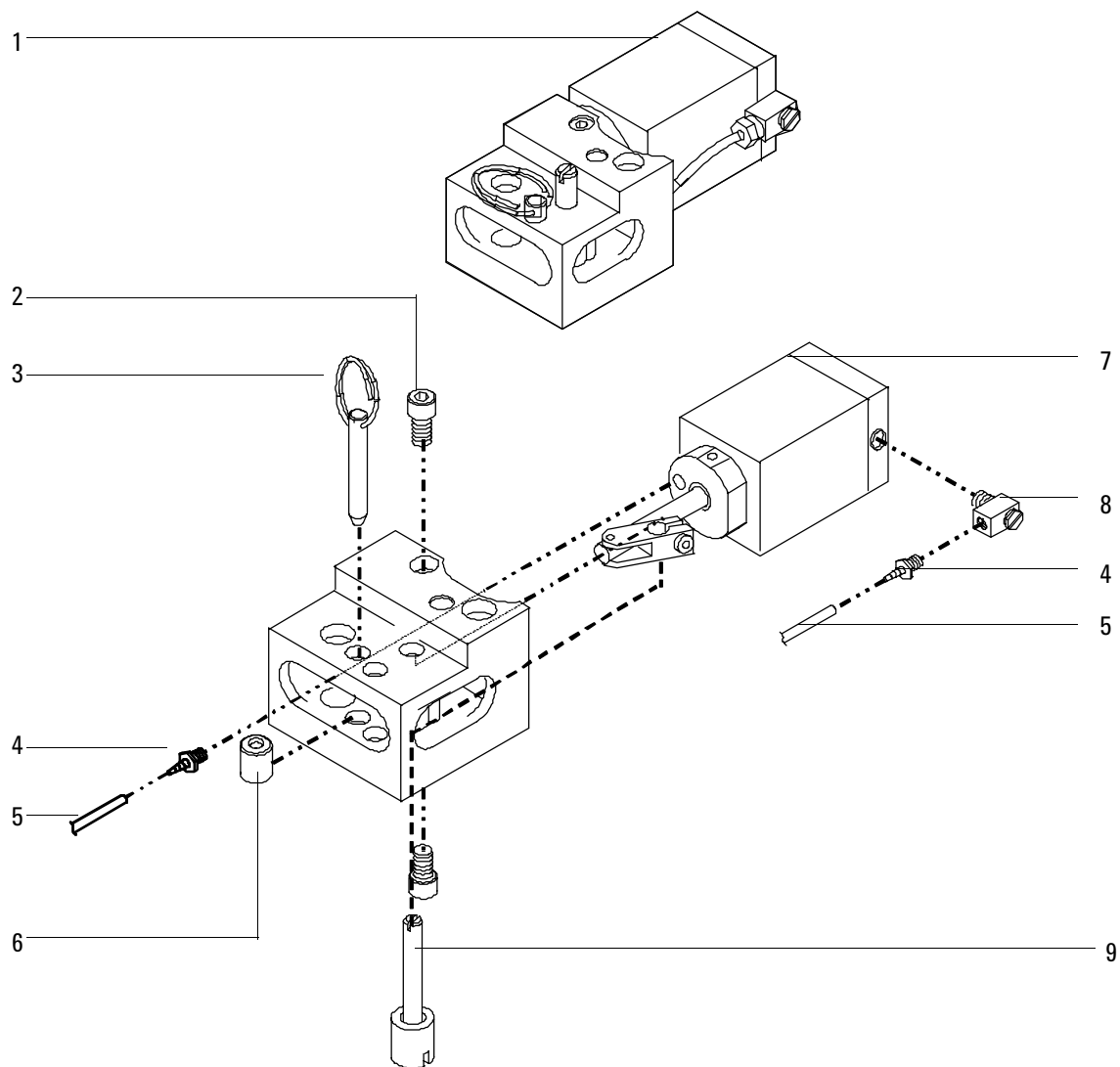


Figure 1350-2 Valve driver assembly

Valve actuator assembly (1 of 2)

Description	Part no.	Qty.
1. Valve actuator assembly	G1580-60660	1
2. Modified screw	19325-80030	2
3. Quick-release pin	1480-0632	1
4. 1/8-inch Hose fitting, 10-32 × 1/16-inch ID, hose barb	0100-1205	2
5. Teflon tubing 1/8-inch od (order by the inch; 42 inches for each actuator)	0890-0746	
6. 36° Actuator limiter	18900-21000	1
7. End cap	19325-20680	1
8. Elbow fitting, 10 to 32	0100-1220	1
9. Coupler/Shaft assembly	G1580-60640	1
NS Hex key, 3 mm (not shown)	8710-0911	—

**Figure 1350-3 Valve actuator assembly (1 of 2)**

Valve actuator assembly (2 of 2)

Description	Part no.	Qty.
1. Dowel pin	1480-0017	1
2. Socket head screw, M4 x 8-mm	0515-0153	3
3. Link	19325-80010	1
4. Piston rod	19325-20650	1
5. Teflon tubing, 1/8-inch o.d. x 42-inch for actuators	0890-0746	1
6. Hose fitting	0100-1205	2
7. O-ring, 0.239-inch ID	0905-0103	1
8. Actuator cylinder	19325-20630	1
9. Piston	19325-20640	2
10. O-ring, 1.046-inch ID	0905-0463	1
11. O-ring, 1.176-inch ID	0905-1405	1
12. Cylinder end cap	19325-20680	1
13. Elbow fitting	0100-1220	1

Valve actuator assembly (2 of 2)

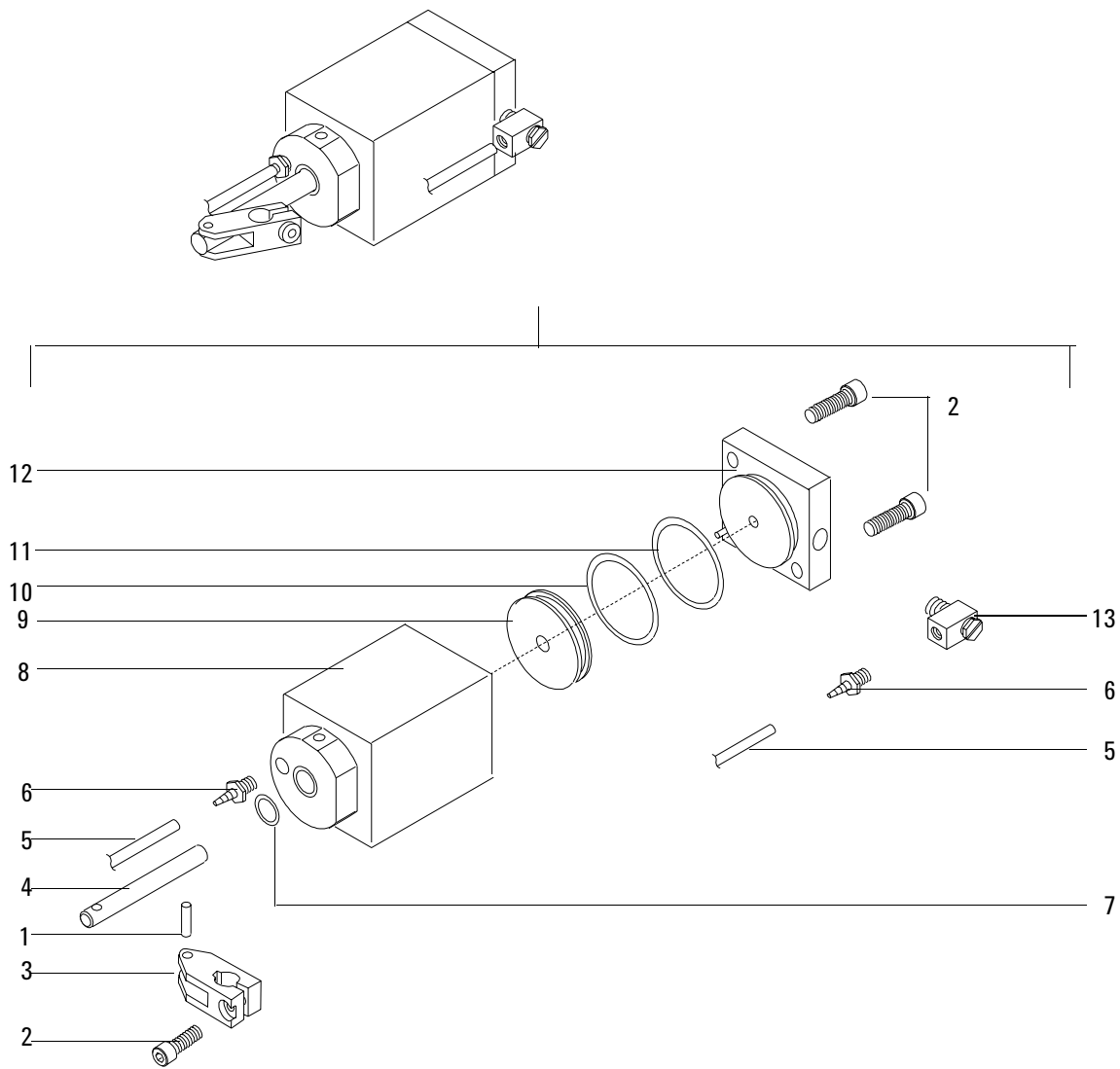


Figure 1350-4 Valve actuator assembly (2 of 2)

Valco W-series minivalve

Description	Part no.	Qty.
1. Valve		
Gas sampling valves		
– 6-port valve (225°C max)	5062-9508	
– 6-port valve (350°C max)	0101-0584	
– 6-port valve (Hastelloy, 225°C max)	5062-9509	
– 10-port valve (225°C max)	5062-9510	
– 10-port valve (350°C max)	0101-0585	
– 10-port valve (Hastelloy, 225°C max)	5062-9511	
Liquid sampling valves		
– 4-port valve (internal sample injector) (0.2 µl, 1000 psi, Option 850)	0101-0636	
– 4-port valve (internal sample injector) (0.5 µl, 1000 psi, Option 852)	0101-0637	
– 4-port valve (internal sample injector) (1.0 µl, 1000 psi, Option 854)	0101-0638	
– 4-port valve (internal sample injector) (0.5 µl, 5000 psi, Option 856)	0101-0639	
2. Ferrule	0100-1022	
3. Nut	0100-0791	
4. Rotors:		
General purpose valve rotors		
– 6-port valve (225°C max)	5181-7459	
– 10-port valve (225°C max)	5181-7460	
– 6-port valve (350°C max)	1535-4952	
– 10-port valve (350°C max)	1535-4954	
Standard pressure liquid sample valve rotors		
– 0.2 µl 4-port (1000 psig max)	5062-3563	
– 0.5 µl 4-port (1000 psig max)	5062-3562	
– 1.0 µl 4-port (1000 psig max)	5062-3559	

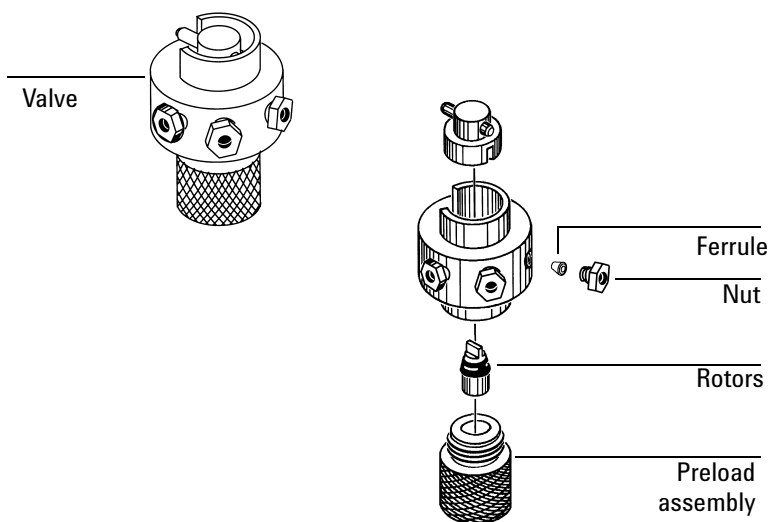


Figure 1350-5 Valco W-series minivalve

Gas sample valve loops

Loop volume mL	Part no.	
	Stainless steel	Nickel
0.25	0101-0303	0101-0956
0.5	0101-0282	0101-0957
1.0	0101-0299	0101-0954
2.0	0101-0300	0101-0955
5.0	0101-0301	-
10.0	0101-0302	-

Capillary tubing (0.031-inch x 0.063-inch od)

Stainless steel		Nickel	
Length, mm	Part no.	Length, mm	Part no.
318	18900-20260	525	18900-21110
559	18900-20300	1061	18900-21120
3658	5021-7199	2132	18900-21130
See the Agilent chemical analysis consumables and accessories catalog for more lengths		4274	18900-21140

Nickel catalyst assembly

Description	Part no.	Qty.
1. Nickel catalyst assembly	G1580-61020	1
2. Screw—socket M4 × 20	0515-0038	2
3. Nickel catalyst heater/sensor assembly	G1580-61160	1
4. Nickel catalyst H ₂ mix FTG weldment	G1580-80500	1
5. Nickel catalyst heater block	18900-20835	1
6. Nut—hex with lockwasher	0535-0043	2
7. Screws, Torx T-20, M4 × 12 mm (captive)	1390-1023	3
8. Top cover plate	G1543-00085	1
9. Top insulation	G1543-00100	1
10. PPIP Insulation	G1543-00030	1
11. PPIP Bottom insulation	G1543-00070	1
12. Nut warmer insulation	19234-60715	3
13. Nut warmer Cup	19234-60700	1

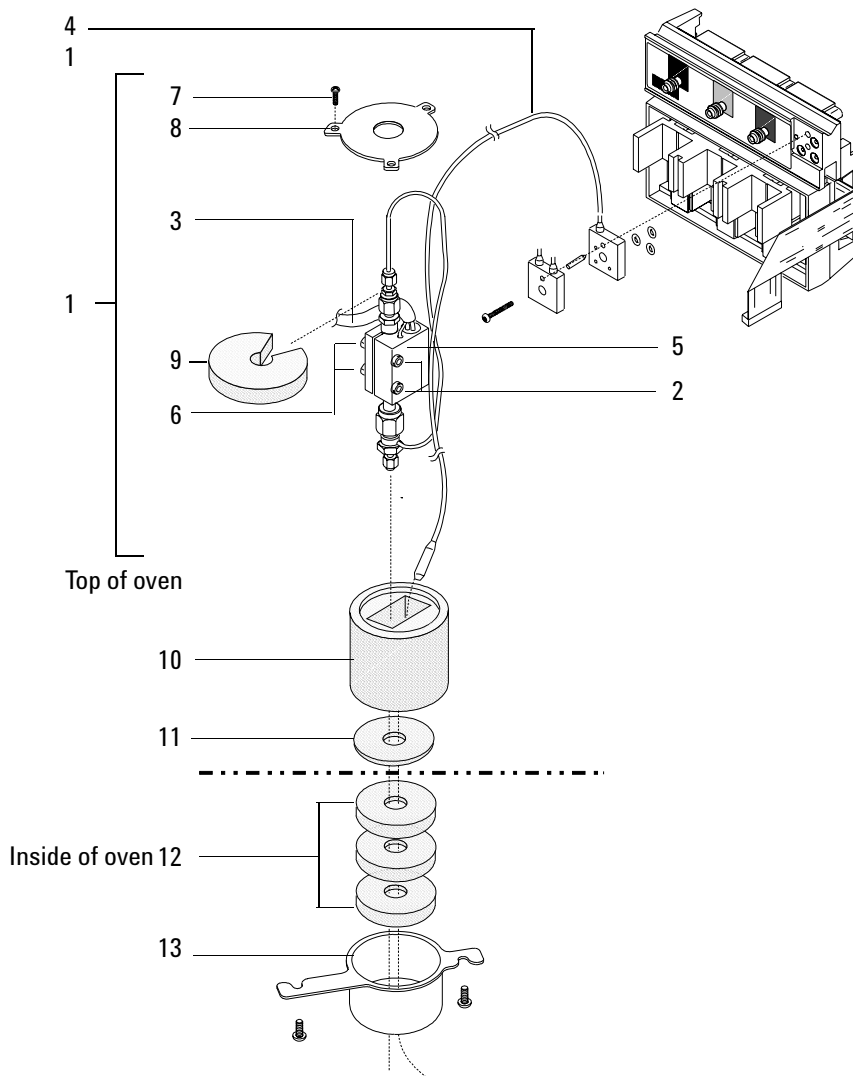


Figure 1350-6 Nickel catalyst assembly

