

1310 Inlets

This section contains illustrated parts breakdowns for 6890 GC inlets and related components.

- Split/Splitless Inlet
- Split/Splitless Inlet Column Liners
- Split/Splitless Inlet EPC Pneumatic Module
- Flow Carrier Assembly
- Split/Splitless Inlet Manual Pneumatic Module
- Capillary Injection Port (0 to 30 psig)
- Capillary Injection Port Sub-Assembly (0 to 30 psig)
- Purged/Packed Inlet
- Purged/Packed Inlet EPC Pneumatic Module
- Purged/Packed Inlet Manual Pneumatic Module
- Packed Column Injection Port Supplies
- Programmable Cool On-Column Capillary Inlet
- Programmable Cool On-Column EPC Pneumatic Module
- Programmed Temperature Vaporization Inlet
- Programmed Temperature Vaporization Inlet EPC Pneumatic Module
- Volatiles Interface Assembly
- Volatiles Interface EPC Pneumatics Module
- Solvent Vapor Exit Assembly
- Pneumatics Control Module

Split/splitless inlet

Description	Part no.	Qty.
1. O-rings HPM8 (10/pkg)	5180-4181	1
2. Septum nut	18740-60835	1
3. Septum, 11 mm, solid, (25/pkg)*	5181-1263	1
4. Nut, Merlin Microseal	5182-3445	—
5. Septum, Merlin Microseal	5182-8815	—
6. Top insert assembly (EPC), original	G1544-60575	1
New insert assembly (EPC, new trap)	G1544-60585	1
(Manual assy)	19251-60575	1
New sampling valve/Split-Splitless insert assembly	G1580-60585	
7. O-ring, *.239-inch (Order No. 5180-4182, 12/pkg)	0905-1014	1
8. Inlet liner, split mode, standard**	5183-4647	1
9. Split vent flow line (14.2-inch long x 0.125-inch id)	G1544-20620	1
10. Split vent trap assembly***	G1544-80550	1
Replacement filter cartridge kit (2/pkg)	G1544-80530	—
11. Swagelok nut, 1/8-inch brass (10/pkg)	5180-4103	1
12. Swagelok back ferrule, 1/8-inch brass (10/pkg)	5180-4115	1
13. Swagelok front ferrule, 1/8-inch brass (10/pkg)	5180-4109	1
14. Screw, M4 x 12 mm, Torx T-20 (Captive)	1390-1023	3
15. Inlet weldment	G1544-80570	1
16. Heater/Sensor assembly	G1544-61140	1
17. Screw, M4 x 8 mm, Torx T-20, chromeplated	0515-2711	3
18. Top insulation	G1544-00010	1
19. Washer, 12/pkg	5061-5869	1
20. Thermal block	G1544-20570	1
21. Block insulation	G1544-00020	1
22. Thermal nut	G1544-20590	1
23. Lower inlet seal, gold plated	18740-20885	1
Also in stainless steel (optional)	18740-20880	—
24. Flat thrust washer (Order no. 5061-5869, 12/pkg)	2190-0464	1
25. Reducing nut	18740-20800	1
26. Insulation, (lower)	G1544-00030	1
27. Insulation, order qty 3	19243-00067	3
28. Bottom insulation cover	19243-00070	1
29. Ferrules (identify by internal diameter):*		
Solid (no hole) ferrule plug	5181-7458	1
Graphite ferrule 0.5 mm id (10/pkg)	5080-8853	
Graphite ferrule 1.0 mm id (10/pkg)	5080-8773	
30. Column nut* (Order no. 5181-8830, 2/pkg)	18740-20870	1
31. Screw, M3 x 16 mm, Torx T-10	1390-1022	1
32. Plastic fitting, HPM8, (10/pkg)	5181-3394	1

- * Also refer to the Agilent chemical analysis consumables and accessories catalog.
- ** See the Column Liners table for more liners, or the Agilent chemical analysis consumables and accessories catalog. Two recommended liners are part no. 5183-4647, deactivated split liner, and part no. 5062-3587, deactivated splitless liner.
- *** Order the Replacement Split Vent Trap kit, part no. G1544-60610, to replace the Split vent trap assembly, part no. G1544-80500.

1310 Inlets
Split/splitless inlet

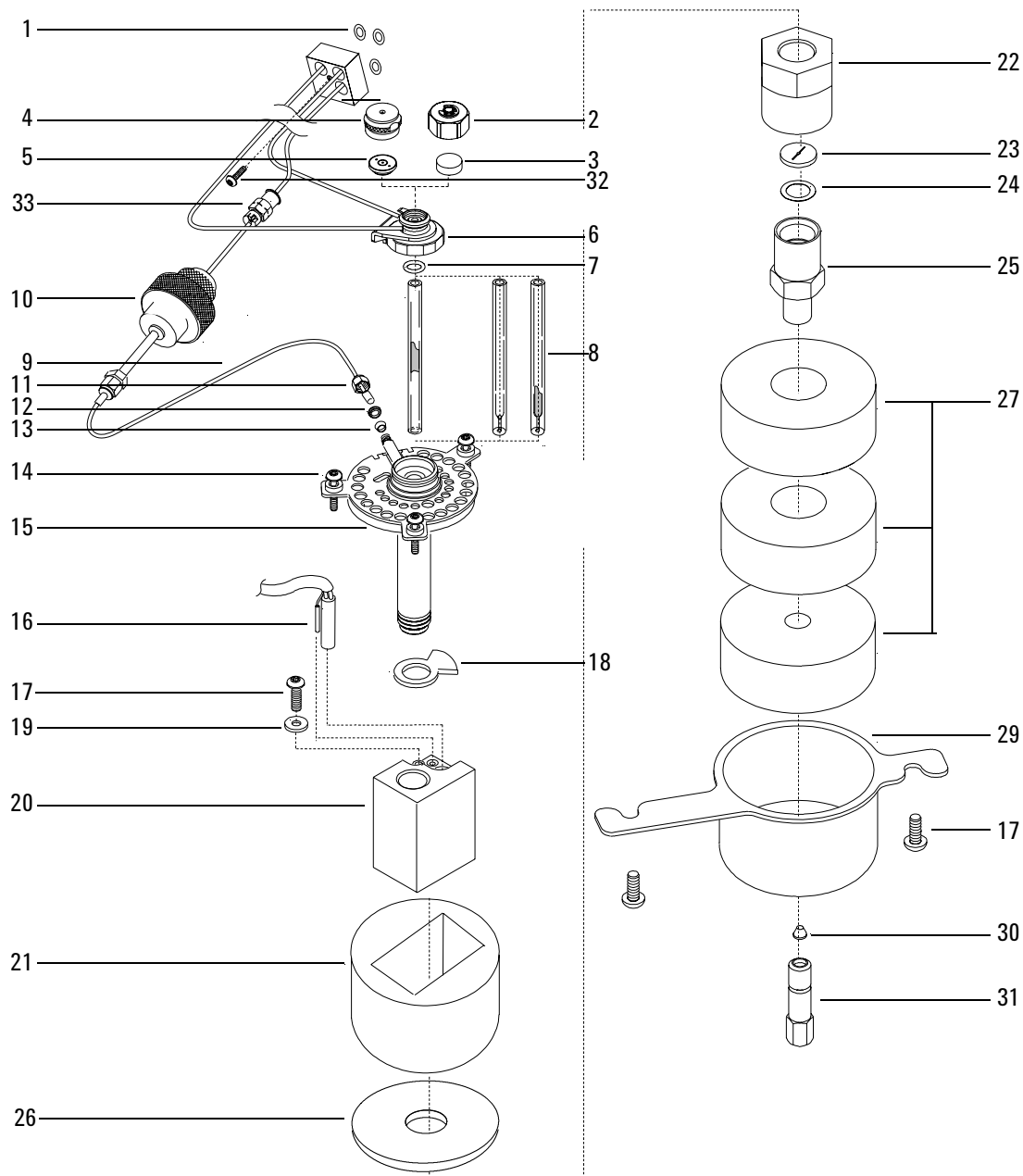


Figure 1310-1 Split/Splitless Inlet

Split/splitless inlet column liners

The table below lists some of the liners available for the split/splitless column. Refer to the Agilent chemical analysis consumables and accessories catalog for a complete list of liners and the specifications for each.

Description	Part no.	Qty.
Single-taper liner with glass wool packing, deactivated (recommended)	5062-3587	1
Single-taper liner without glass wool packing, deactivated	5181-3316	1
Split/Splitless liner	19251-60540	1
Split liner, deactivated (recommended)	5183-4647	1

Split/splitless inlet EPC pneumatic module

(Part no. G1544-60500, 0 to 100 psig or G1544-60540, 0 to 150 psig)

Description	Part no.	Qty.
1. Male connectors 1/8-inch Swagelok	G1543-80030	2
2. Screw, M4 x 45 mm, Torx T20	0515-2484	1
3. Inlet supply fitting	G1543-20610	1
4. Screw, M3 x 12 mm, Torx T10	0515-1084	2
5. O-rings, under connectors and fitting (12/pkg)	5180-4182	1
6. Split vent On/Off valve	G1544-60580	1

For diagram of screw and O-ring placement in pneumatic modules see Figure 1310-7 on page 15 of this section.

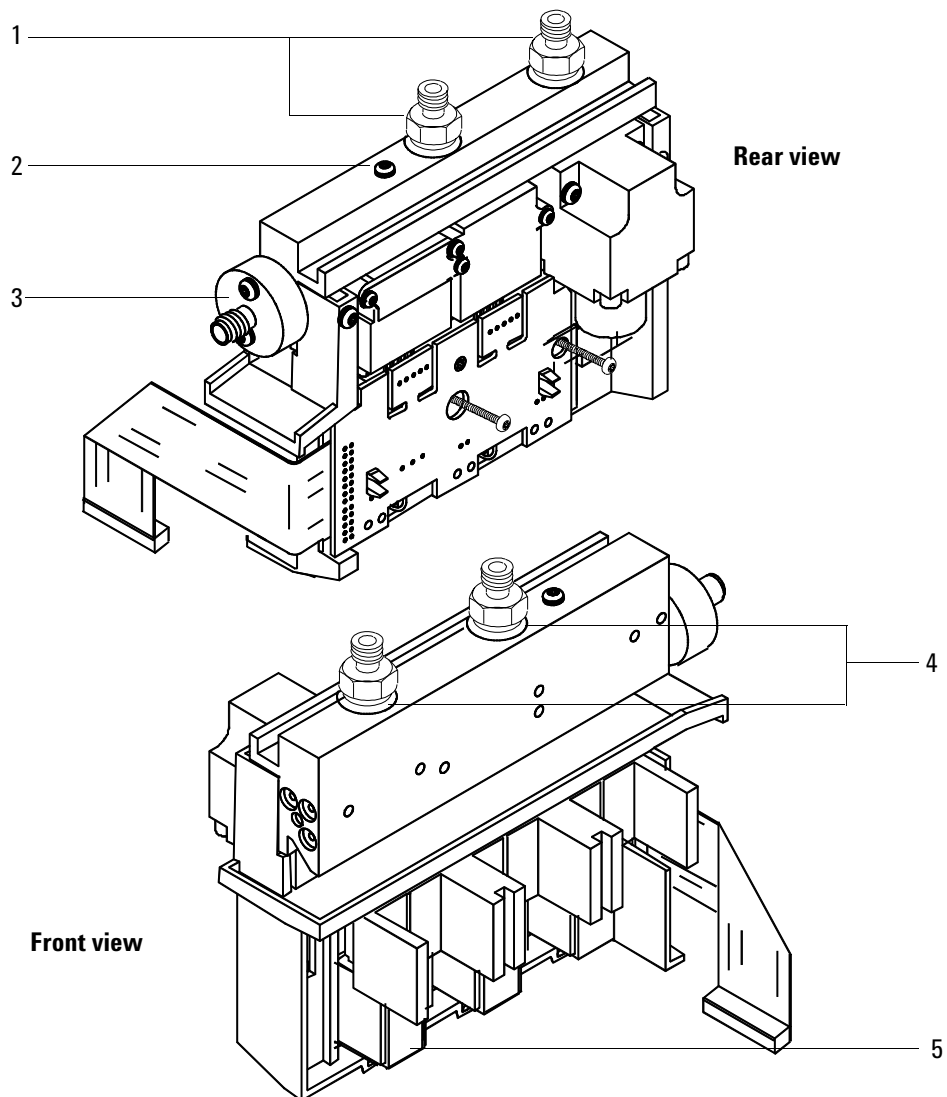


Figure 1310-2 Split/Splitless inlet EPC pneumatic module

Pneumatic carrier assembly G1585A

Description	Part no.	Qty.
1. Flow support bracket	G1530-01220	1
2. Flow module back-up plate	G1530-00580	1
3. Flow carrier assy.	G1530-80790	2
4. PPIP manifold assy, 0 to 100 psi (with inlet)	G1543-60500	1
5. Spacer, pressure gauge	19243-40010	2
6. Screw, M4 × 25 mm, Torx T-20	0515-2712	2
7. Screw, M4 × 12 mm, Torx T-20	0515-2496	12
8. Flow cover	G1530-01240	1
9. S/SL manifold assy, 0 to 30 psi	G1544-60500	1
10. Nut, hex w/lkwr	0535-0043	2
11. Reg/Gauge assy. (order part no. G1577A)	19246-60640	1
12. Chemical trap bracket	05890-00810	1
13. Screw, machine, flat head, M4 × 10, Torx T-20	0515-2725	2
14. Chemical trap assy.	05890-80710	2
15. Label plate, blank	G1530-90705	1
Label plate, PPIP	G1530-90740	NS
Label plate, S/SL	G1530-90720	NS

Note Minimum Replacement Level is G1530-80790

Pneumatic carrier assembly

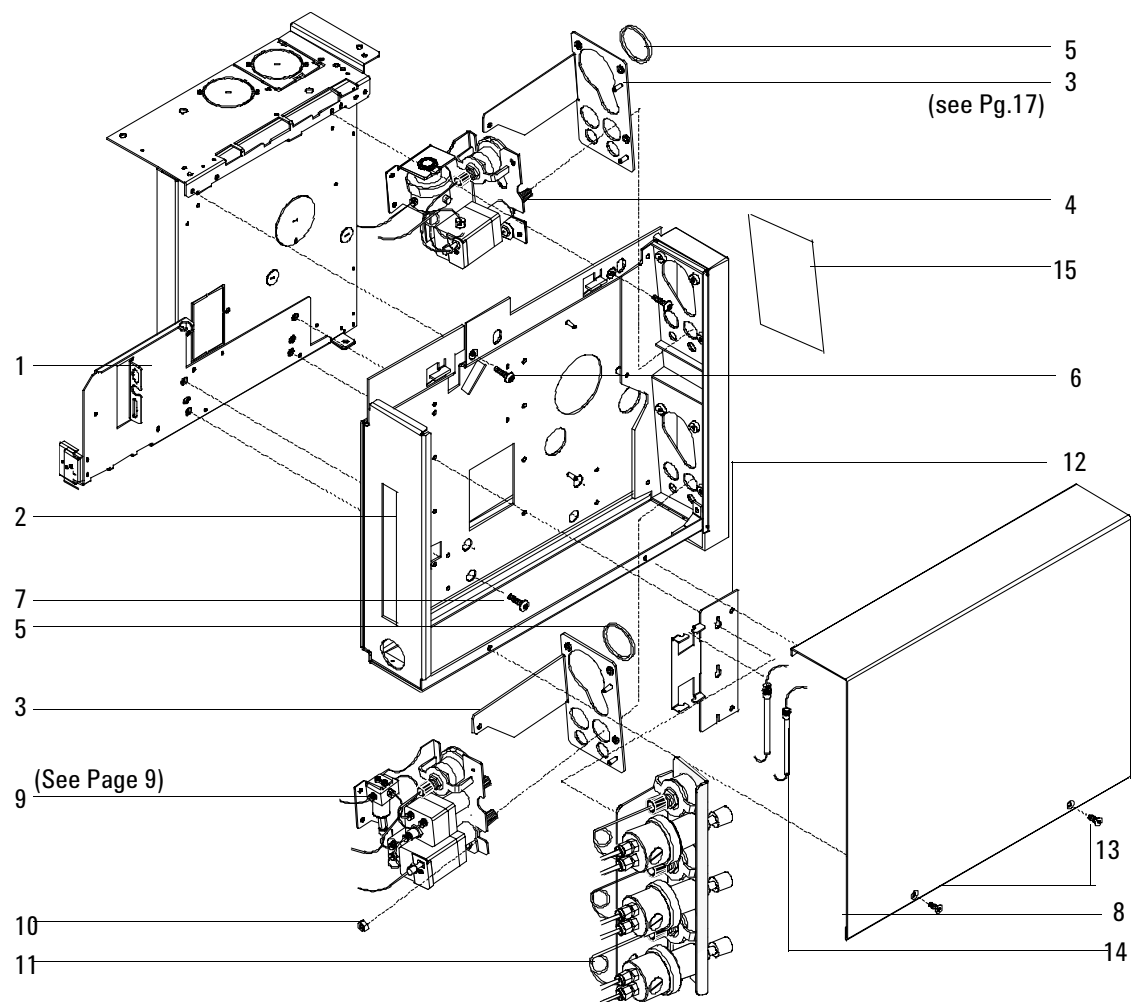


Figure 1310-3 Pneumatic carrier assembly

Split/splitless inlet manual pneumatic module**Split/splitless inlet manual pneumatic module****(Module and Inlet Assy. part no. G1544-65500)**

Description	Part no.	Qty.
1. Flow module bracket	19243-00045	1
2. Solenoid valve assembly, 3-way, 24Vdc	G1544-60560	1
3. Jumper weldment	19243-80550	2
4. Purge pressure regulator (septum)	19246-60530	1
5. Vent tube weldment	19244-80580	1
6. Pressure gauge spacer	19243-40010	1
7. Pressure gauge, 0 to 30 psi	19320-60655	1
8. Gauge jumper weldment	19243-80555	1
9. Backpressure regulator, 0 to 30 psi	19246-60570	1
10. Mass flow controller, 0 to 400 mL/min.	19362-60575	1
11. Chemical trap assembly	05890-80710	1
12. Solenoid valve cable assembly	G1544-60520	1
13. HPM8 plastic fitting	5181-3394	10 pk
14. M8 O-ring	5180-4181	12 pk
15. Hex nut, 5/16-inch	2950-0203	2
NS Blank label plate	G1530-90705	–
NS S/SL label plate	G1530-90720	–

Capillary injection port (0 to 30 psig)**Capillary injection port (0 to 30 psig)**

Description	Part no.	Qty.
1. SCR-Mach M4 × 0.7 × 8 mm LG	0515-0106	2
2. SCR-Mach M4 × 12 mm, T20 Torx	1390-1023	3
3. Thread cutting screw	0624-0665	2

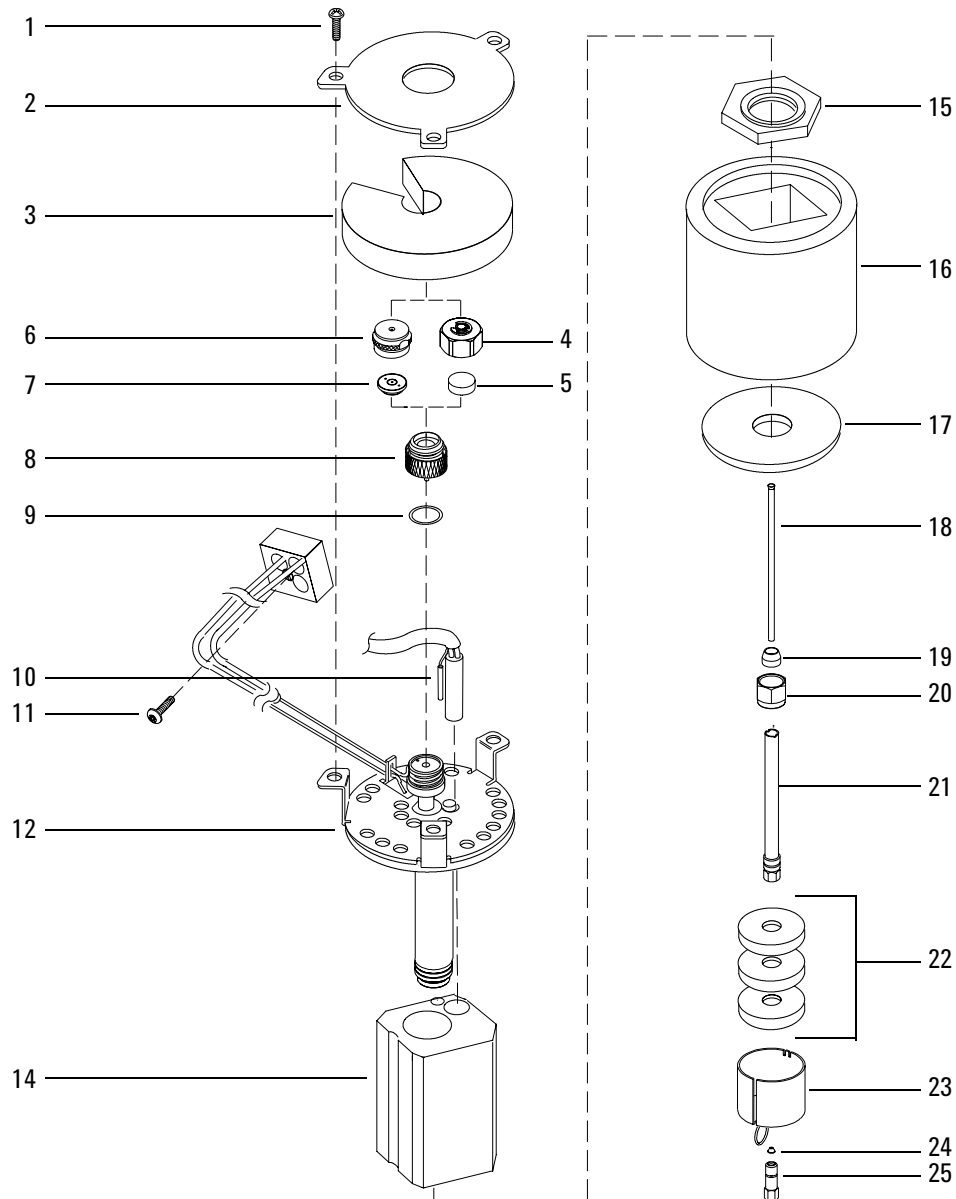
Capillary injection port subassembly (0 to 30 psig)**(Part no. G1544-65500)**

Description	Part no.	Qty.
1. O-ring, .239-inch (Order no. 5180-4182 12/pkg)	0905-1014	1
2. SCR-M4 × 8 T20 Torx-chrm plt	0515-2711	2
3. Reducing nut	18740-20800	1
4. Column nut	5181-8830	2/pk
5. Gold plated seal	18740-20885	1
6. Septum nut assembly	18740-60835	1
7. Vent torque plate	19244-00030	1
8. Purge regulator	19246-60530	1
9. Insert assembly series II	19251-60575	1
10. Washer, flat SS	5061-5869	12/pk
11. 11-mm Solsept (Order no. 5182-0739)		50/pkg
12. Ferrule, no hole	5181-7458	1
13. Cap top insulation	G1544-00010	1
14. Flow controller inlet fitting-replacement	0100-1595	1
15. Cap inlet block insulation	G1544-00020	1
16. Cap bottom insulation	G1544-00030	1
17. Cap heated block	G1544-20570	1
18. Cap thread insert	G1544-20580	1
19. Cap thermal nut	G1544-20590	1
20. S/S Solenoid cable assembly	G1544-60520	1
21. Cap solenoid valve	G1544-60560	1
22. Cap inj. heater/sensor assembly	G1544-61140	1
23. Cap shell weldment	G1544-80570	1
NS Replacement flow controller O-ring kit	0905-1251	—

See also the parts list for the Split/Splitless Inlet with EPC.

Purged/packed inlet

Description	Part no.	Qty.
1. Screws, Torx T-20, M4 × 12 mm	0515-2496	3
2. Top cover plate	G1543-00085	1
3. Top insulation	G1543-00100	1
4. Septum nut	18740-60835	1
5. Septum, 11 mm, low bleed (50/pkg)	5182-0739	—
6. Nut, Merlin Microseal	5182-3445	—
7. Septum, Merlin Microseal	5182-8815	—
8. Top insert weldment	19243-80570	1
9. Viton O-ring (Pkg/12)	5080-8898	1
10. Heater/Sensor assembly	G1543-61540	1
11. Screw, Torx T-10, M3 × 16 mm	1390-1022	1
12. Inlet weldment	G1543-80580	1
13. Top gasket insulation (not shown)	G1543-00155	1
14. Thermal block	G1543-20765	1
15. Bottom nut	G1543-20580	1
16. PPIP insulation	G1543-00030	1
17. PPIP bottom insulation	G1543-00070	1
18. Glass insert (pkg/25)	5080-8732	1
19. Vespel ferrule (pkg/10)	5080-8774	1
20. Tubing nut (1/4-inch brass)	5180-4105	10/pkg
21. 530 μ Column liner (see the Agilent chemical analysis consumables and accessories catalog)	19244-80540	1
1/8-inch Column adapter (optional)	19243-80510	—
22. Nut warmer insulation	19234-60715	3
23. Nut warmer cup	19234-60700	1
24. Ferrules (identify by internal diameter):		
Solid ferrule plug (no hole)	5181-7458	1
Graphite ferrule 0.5 mm ID	5080-8853	10/pkg
Graphite ferrule 1.0 mm ID	5080-8773	1
25. Column nut (Order no. 5180-8830 2/pkg)	18740-20870	1

**Figure 1310-5 Exploded diagram of the purged packed inlet**

Purged/packed inlet EPC pneumatic module**(Part no. G1543-60500)**

Description	Part no.	Qty.
1. 1/8-inch Swagelok male connector SAE, brass	G1543-80030	1
2. Inlet fitting	G1543-20610	1
3. Screw, M4 × 45 mm, Torx T20	0515-2484	1
4. O-rings, .239 id (order part no. 5180-4182, 12/pkg)		1
5. PPIP/EPC inlet manifold kit, not shown	G1543-65520	

For diagram of screw and O-ring placement in pneumatic modules see Figure 1310-7 on page 15 of this section.

Purged/packed inlet EPC pneumatic module

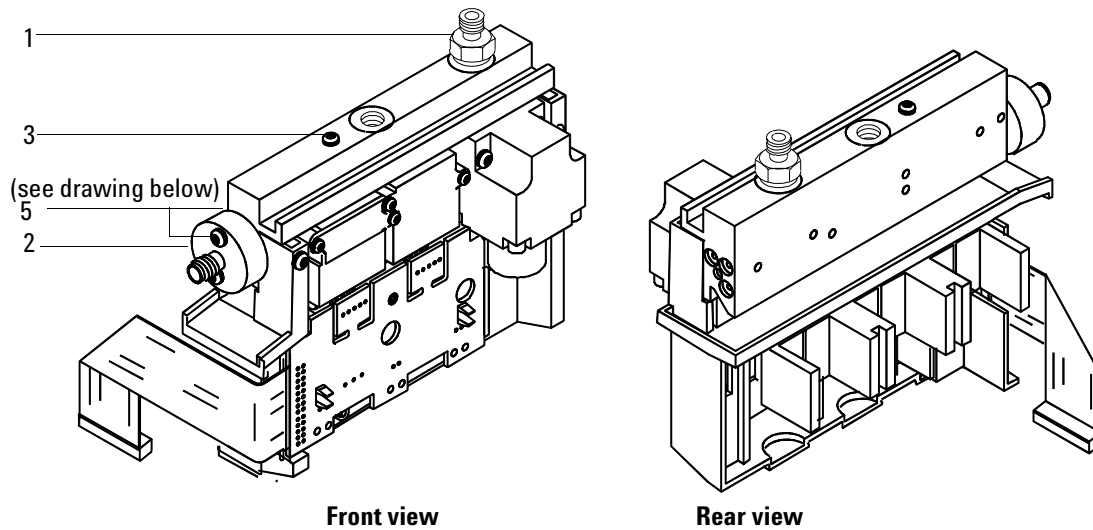


Figure 1310-6 Purged/Packed inlet EPC pneumatic module

Caution

Aluminum bracket removed for clarity, DO NOT completely remove the bracket during valve replacement.

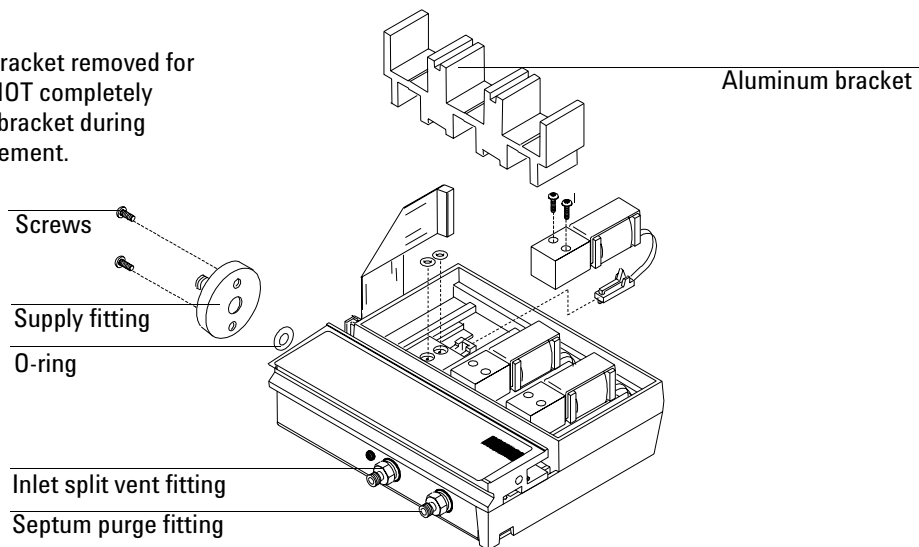


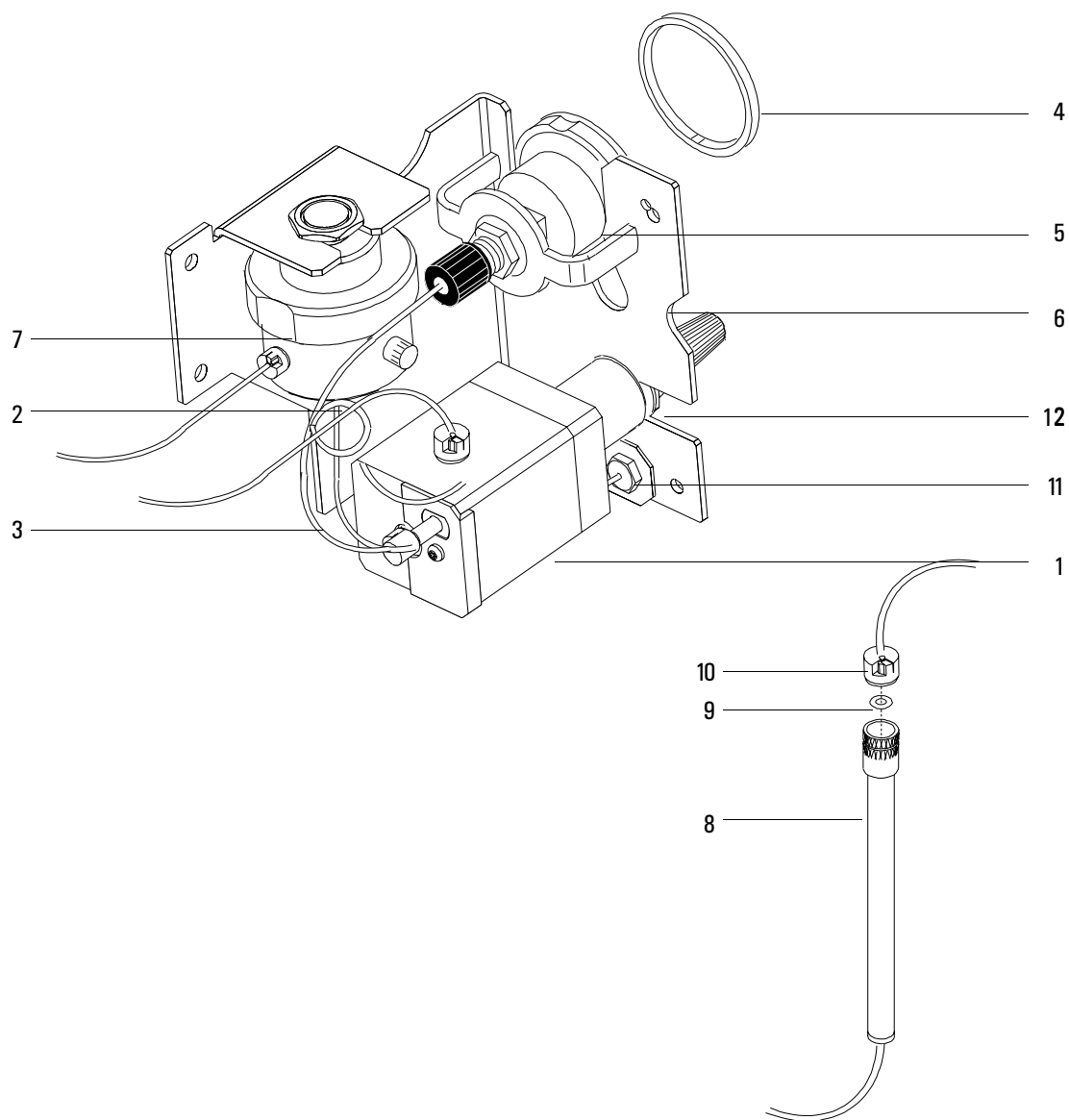
Figure 1310-7 Serviceable parts drawing for any EPC pneumatic module

Purged/packed inlet manual pneumatic module and inlet**(Part no. G1543-65505)**

Description	Part no.	Qty.
1. Mass flow controller, 0 to 20 mL/min	19362-60565	1
2. Gauge jumper weldment	19243-80555	1
3. Purge vent tube weldment	19244-80580	1
4. Pressure gauge spacer	19243-40010	1
5. Pressure gauge (0 to 100 psi)	19361-60565	1
6. Flow module bracket	19245-00105	1
7. Septum purge regulator	19243-60650	1
8. Chemical trap assembly	05980-80710	1
9. M8 O-ring, ungreased	5180-4181	10
10. M8 plastic fitting	5181-3394	10
11. Vent torque plate	19244-00030	1
12. Hex nut, 5/16-inch	2950-0203	1
NS Fitting, MFC/PPIP adapter	G1543-20540	1
NS PPIP/PCOC MNL-EPC adapter assy	G1545-80510	1
NS Blank label plate	G1530-90705	1
NS PPIP label plate	G1530-90740	1
NS Torx screw, M3 × 16, T-10	1390-1022	1
NS Torx screw, M4 × 12, T-20	1390-1023	3

Packed Inlet Optional Flow Restrictors

Colored dot code	Supply pressure	Flow range (mL/min)	Part no.
Red and purple	50	0 to 20	19362-60515
Blue and purple	50	0 to 60	19362-60525
Green and purple	50	0 to 110	19362-60535

Purged/packed inlet manual pneumatic module and inlet**Figure 1310-8 Purged/Packed inlet manual pneumatic module**

Packed column injection port supplies**Packed column injection port supplies**

Description	Part no.	Qty.
Purged packed column injection port kit	5181-8837	
Contains:		
11-mm septa; Graphite/Vespel ferrules; Viton O-rings		
Deactivated disposable glass inserts		
Description	Part no.	Qty.
Septum-purged packed column port		
1. Septum nut	18740-60835	
Headspace retainer nut	18740-60830	
Merlin microseal	5181-8816	
Nonpurging septum nut assembly for manual flow control only	19243-60570	
2. Septa, 11-mm OD, no-hole	5181-1263	25/pkg
3. Top insert weldment	19243-80570	
4. Viton O-rings	5080-8898	12/pkg
5. Vespel ferrules	5080-8774	10/pkg
6. Nut, 1/4-inch brass	5180-4105	10/pkg
7. Liners without glass inserts:		
1/8-inch column liner	19243-80510	
1/4-inch column liner	19243-80520	
Liners with glass inserts:		
Series 530- μ column liner	19244-80540	
1/8-inch column liner	19243-80530	
1/4-inch column liner	19243-80540	
Disposable glass inserts	5080-8732	25/pkg
Disposable glass inserts (deactivated)	5181-3382	5/pkg

Programmable cool on-column capillary inlet

Programmable cool on-column capillary inlet

Description	Part no.	Qty.
1. Needle guide top (optional)	19245-20670	0
2. Septum nut base assembly (short)	19245-80521	1
3. Septum nut base	G1545-80520	1
4. Manual cooling tower assembly (optional)	19320-80625	1
5. Duckbill (for use with cooling tower, above)	19245-40050	10/pkg
6. Screw M4 × 8 Torx T-20 chromeplate	0515-2711	3
7. Heatsink fin	G1545-00010	1
8. Heater/Sensor assembly	G1545-60520	1
9. Septa		
–Solid	5181-1261	25/pkg
–Thru-hole	5181-1260	25/pkg
10. Insert spring	19245-60760	1
11. Inserts (identify by number of rings on insert):		
–Narrow bore insert; 200 μ – 1 silver ring	19245-20510	0
–Wide bore insert; 320 μ – 5 silver rings	19245-20525	1
–Megabore insert; 530 μ – 0 rings	19245-20580	1
–Capillary Insert (glass columns) – 3 silver rings	19245-20550	0
–AL megabore – 4 rings	19245-20780	0
–250 μ bore insert – 6 rings	19245-20515	1
12. T-20 screws (captive) M4 × 12 mm	1390-1023	3
13. T-10 Torx M3 × 16-mm screw	1390-1022	1
14. Inlet weldment	G1545-80507	1
15. Inlet weldment insulation	G1545-20630	1
16. Cavity sleeve	19245-00060	1
17. Ferrules (identify by internal diameter):		
Solid ferrule plug (no hole)	5181-7458	1
Graphite ferrule 0.5 mm ID	5080-8853	10/pkg
Graphite ferrule 1.0 mm ID	5080-8773	10/pkg
18. Column nut (Order no. 5181-8830 2/pkg)	18740-20870	1

1310 Inlets
Programmable cool on-column capillary inlet

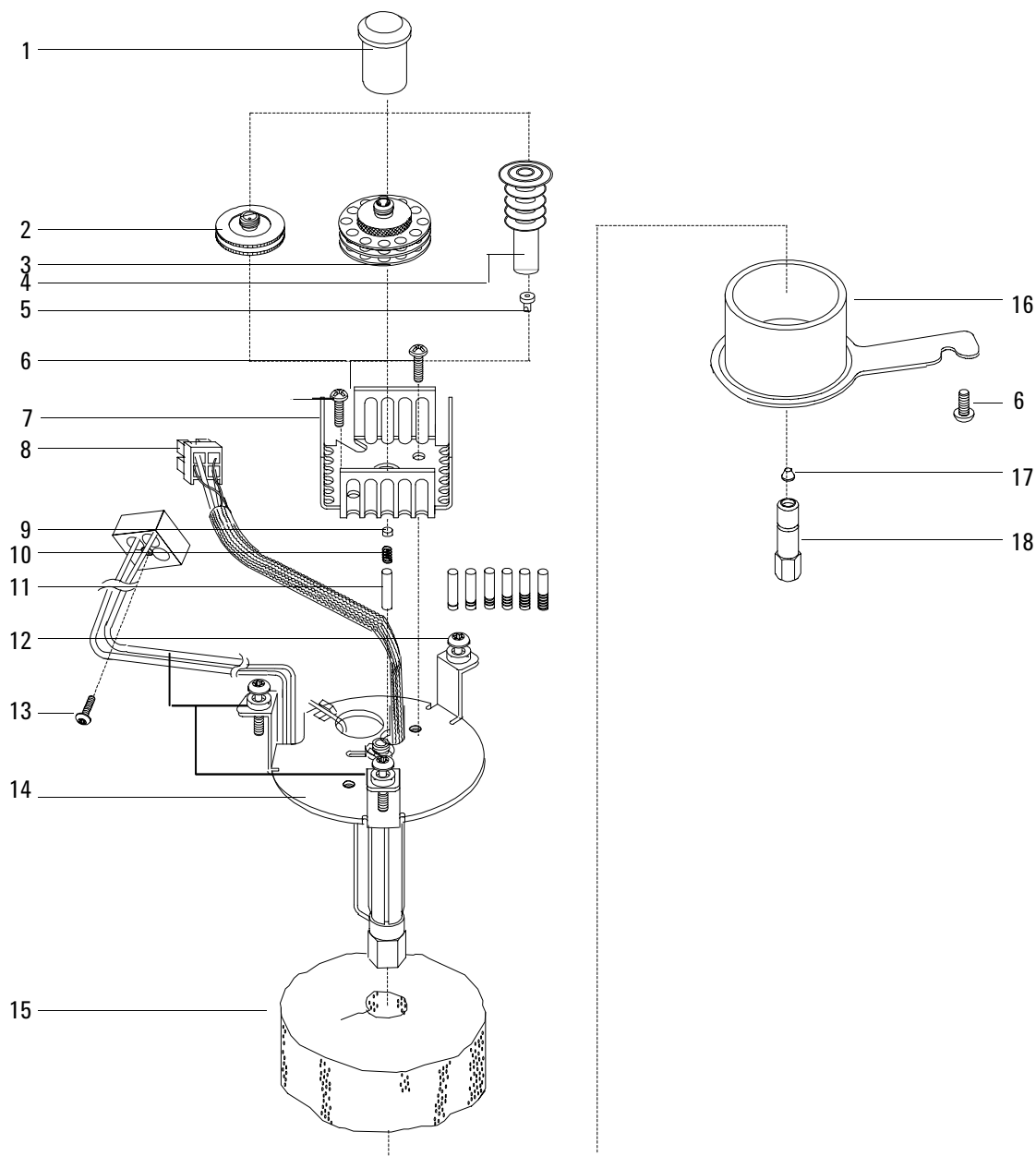


Figure 1310-9 Exploded diagram of the programmable cool on-column inlet

Programmable cool on-column EPC pneumatic module

Programmable cool on-column EPC pneumatic module

0 to 100 psig (part no. G1545-60500)

Description	Part no.	Qty.
1. Male connect 1/8-inch Swagelok	0100-1346	1
2. Inlet block fitting	G1543-20610	1
3. EPC valve replacement kit	G1531-60610	1
4. Screws, inlet block, M3 × 12 mm, not shown	0515-1084	

For diagram of screw and O-ring placement in pneumatic modules see Figure 1310-7 on page 15 of this section.

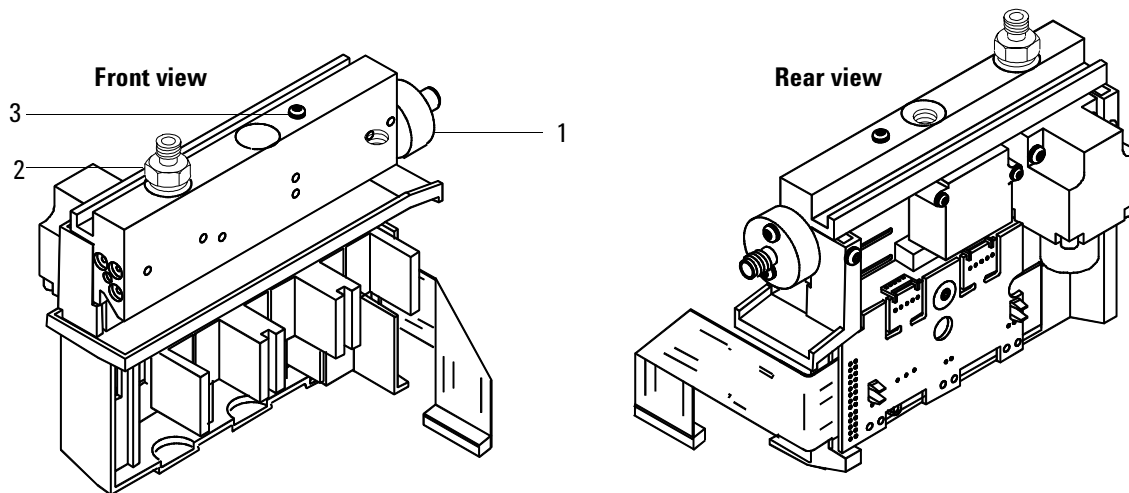


Figure 1310-10 Programmable cool on-column pneumatic module

Programmed temperature vaporization inlet**Programmed temperature vaporization inlet**

Description	Part no.	Qty.
1. Septumless head	G2617-60507	1
2. Septum head*	G2618-80500	1
3. Septum nut*	18740-60835	1
4. PTV inlet assy	G2617-60506	1
5. PTV cryo insulator (not shown)	G2617-60510	1
6. PTV LCO ₂ cooling jacket	G2617-60508	1
7. PTV LN ₂ cooling jacket	G2619-60501	1
8. Silver seal (5/pk)	5182-9763	1
9. Graphpack inlet adapter		1
0.2 mm Column ID	5182-9754	
0.25–0.33 mm Column ID	5182-9761	
0.53 mm Column ID	5182-9762	
10. Ferrules for graphpack inlet		1
0.2 mm Column ID (10/pk)	5182-9756	
0.25 mm Column ID (10/pk)	5182-9768	
0.32 mm Column ID (10/pk)	5182-9769	
0.53 mm Column ID (10/pk)	5182-9770	
11. Split nut for inlet adapters	5062-3525	1
12. Screws, M3 × 0.5 × 3 mm		3
13. PTV insulation block	G2617-20510	1
14. PTV septumless gang weldment	G2617-80500	1
15. PTV septum gang FTG weldment	G2618-80500	1
16. Replacement filter kit	G1544-80530	1
17. PTV front trap assy	G2617-80520	1
18. Trap nut	G1544-20650	1
19. Teflon ferrule (needle seal)	5182-9748	1
20. Kalrez seal**	5182-9759	1
21. Valve body**	5182-9757	1
22. Pressure spring**	5182-9758	1
23. Viton seal	5182-9775	1
24. Sealing element	5182-9760	1
25. PTV column adapter tube	G2617-80550	
26. 3-D Graphpak ferrules, not shown (5/pkg)	5182-9749	
27. 3-D Graphpak assembly Tool, not shown	G2617-80540	

*See the Agilent chemical analysis consumables and accessories catalog for Merlin assemblies.

**Service kit, part no. 5182-9747, consists of items 20, 21, and 22.

Programmed temperature vaporization inlet

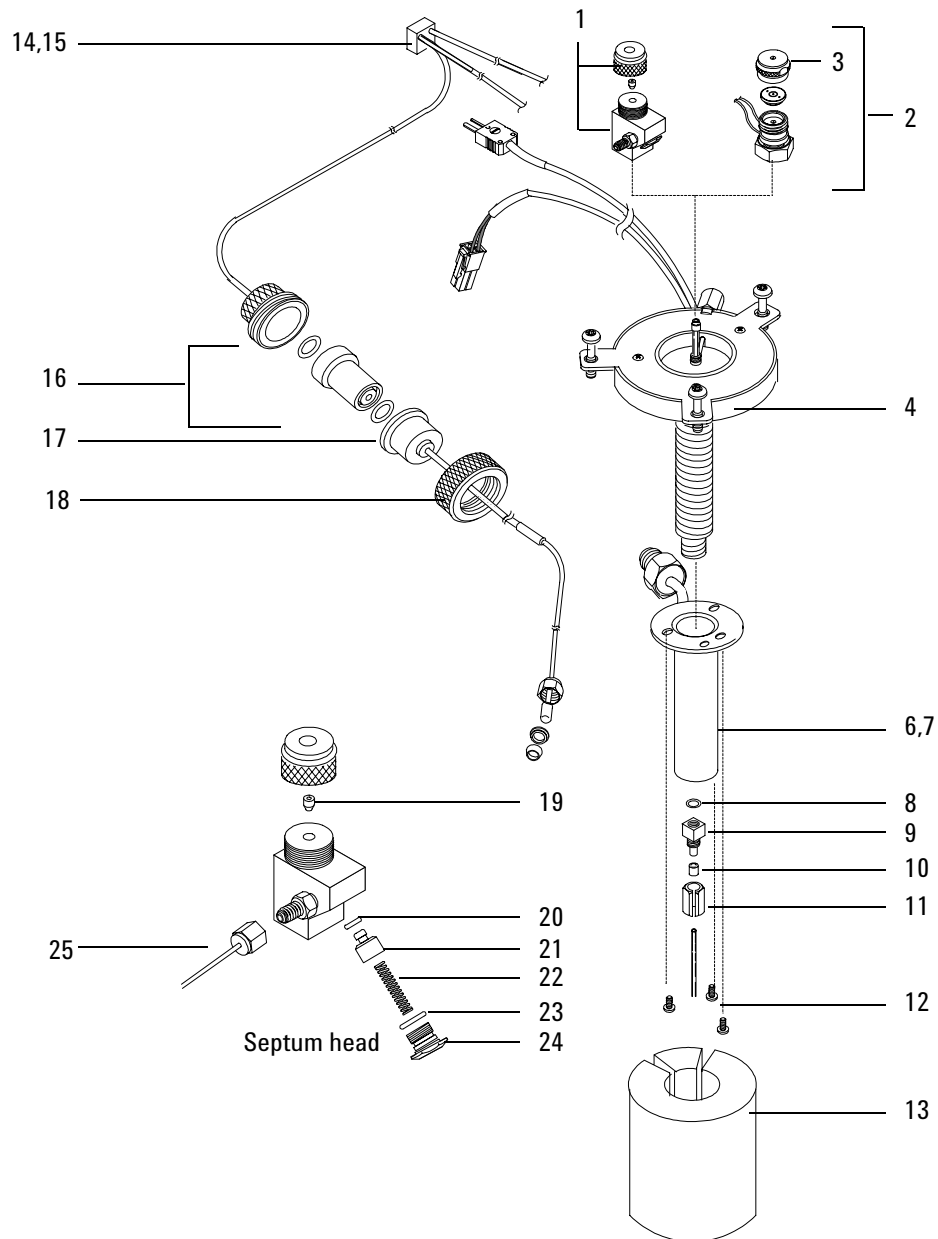


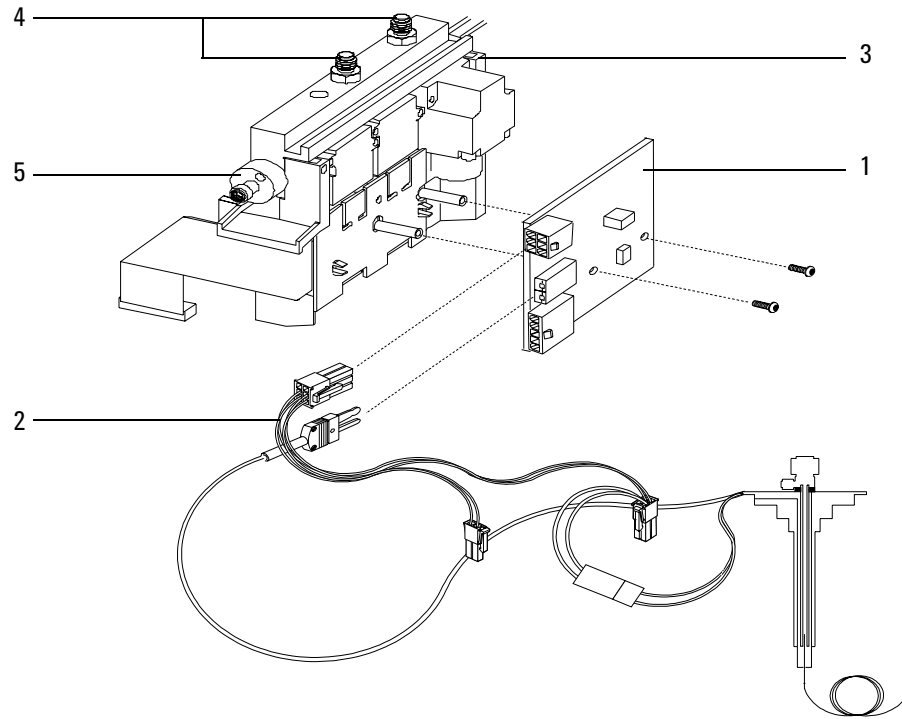
Figure 1310-11 Exploded diagram of the programmed temperature vaporization inlet

Programmed temperature vaporization inlet calibrated manifold assembly

(part no. G2617-60500)

Description	Part no.	Qty.
1. PTV thermocouple PCB	G2617-60010	1
2. PTV thermocouple PCB cable	G2617-60505	1
3. Calibrated manifold assembly	G2617-60500	1
4. Male connectors 1/8-inch Swagelok	G1543-80030	2
5. Inlet fitting block	G1543-20510	1

For diagram of screw and O-ring placement in pneumatic modules see Figure 1310-7 on page 15 of this section.

Programmed temperature vaporization inlet calibrated manifold assembly**Figure 1310-12 PTV flow module**

PTV LCO₂ cryo assembly

(part no. G2617-60514)

(Recommended replacement level)

Description	Part no.	Qty.
1. PTV LCO ₂ brazement (valve to IP tube)	G2617-80510	1
2. PTV LCO ₂ valve bracket	G2617-00010	1
3. CO ₂ cryo valve	G1565-60545	1
4. Cap prot W/O Flg	1401-0044	1
5. Scr-mach 8-32.375-inch	2510-0102	2
6. 1/8-inch male conn W/O O-ring	G1543-80025	1
7. Gland seal LCO ₂	G1565-20590	1
8. TFE seal	G1565-20840	1

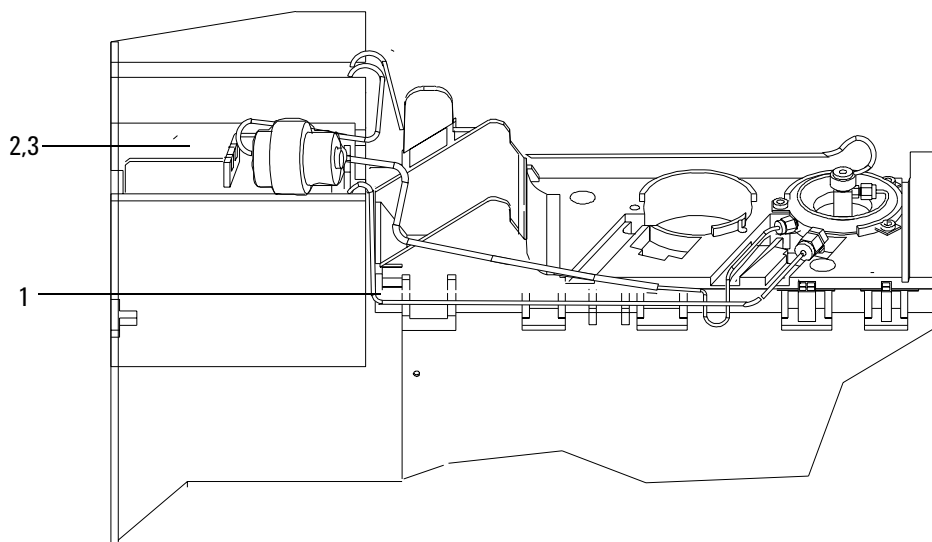


Figure 1310-13 PTV LCO₂ cryo assembly

PTV LN₂ cryo assembly

(part no. G2619-60504)

(Recommended replacement level)

Description	Part no.	Qty.
1. PTV LN ₂ nut plate	G2619-00040	1
2. PTV LN ₂ supply tube	G2619-20520	1
3. PTV/CFD LN ₂ insulation cover	G2619-00030	1
4. PTV LN ₂ -cell inlet tube	G2619-20510	1
5. Cryo valve	G1566-60557	1
6. PTV inlet tube insulation	G2619-00010	1
7. PTV solenoid bracket	G2619-00020	1
8. PTV jumper cable	G2619-60502	1
9. Nut 1/4-inch tubing SS	0100-0055	1
10. Connector	0100-0112	1
11. Connector—male	0100-0208	1
12. 1/4-inch ferrule set SST	0100-1827	1
13. Tape—industrial	—	—
14. Cap—protective	—	—
15. MS 8-32.312 LG	2510-0043	2

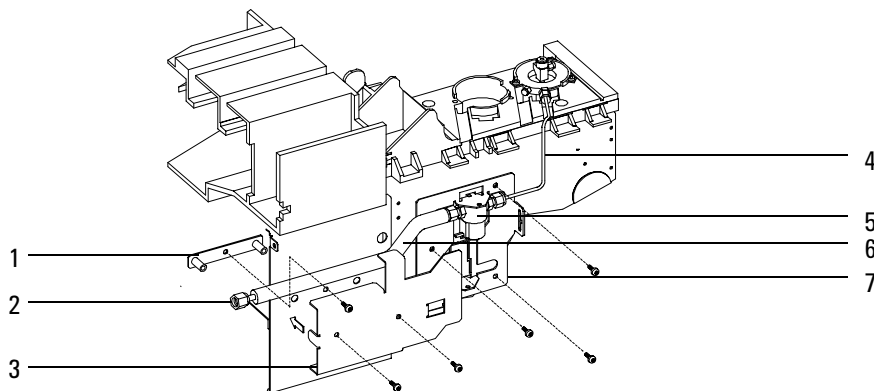


Figure 1310-14 PTV LN₂ cryo assembly

Volatiles interface

Description	Part no.	Qty.
1. VI top cover	G2319-00020	1
2. Top insulation	G2319-20580	1
3. Screw, M4 x 12	1390-1023	4
4. Clamping plate	G2319-20540	1
5. Volatiles interface	G2319-60505	1
NS Ferrule, 1/16-inch, (10/pk)	0100-1333	
NS Blanking nut 1/16-inch SS	01080-83202	
NS Male nut, 1/16-inch	0100-0929	
6. VI heater/sensor assy	G2319-60503	1
7. Heater block assy	G2319-60507	1
8. VI insulation htr block	G2319-20530	1
9. Pneumatic gang fitting assy	G2319-60501	1
Contains:		
Gen. make-up restrictor	19243-60540	1
O-ring	0905-1014	1
Torx screw	1390-1024	2
Replacement filter kit	G1544-80530	—
or		
10. Filter trap assy (not shown)	G2319-80530	1
11. RP filter	G1544-80530	2/pk
12. Nut, male 1/16-inch swage	0100-0929	3
13. Vol. front trap assy	G2319-80530	1
14. Trap nut	G1544-20650	1

*Also refer to the Agilent chemical analysis consumables and accessories catalog.

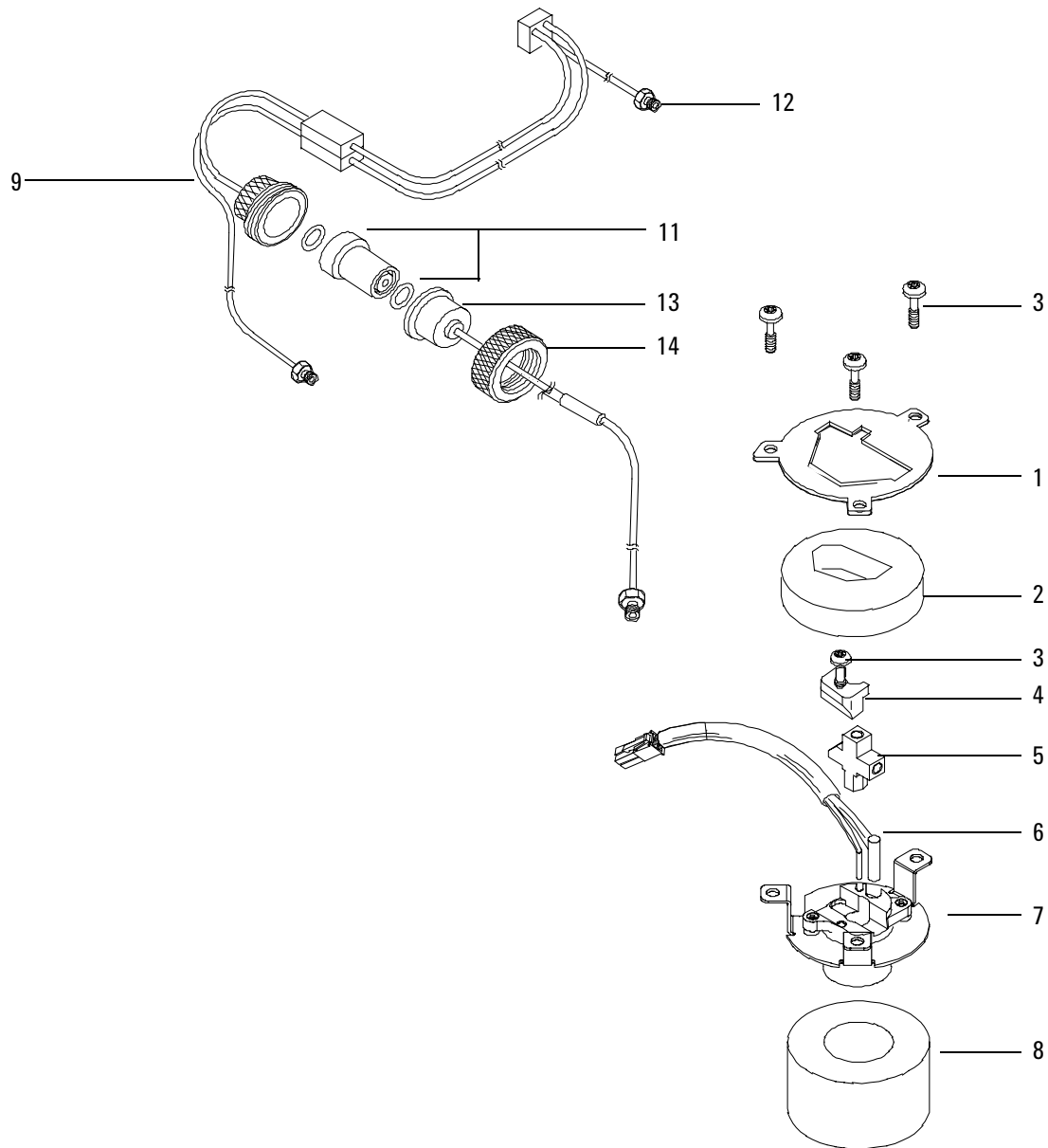
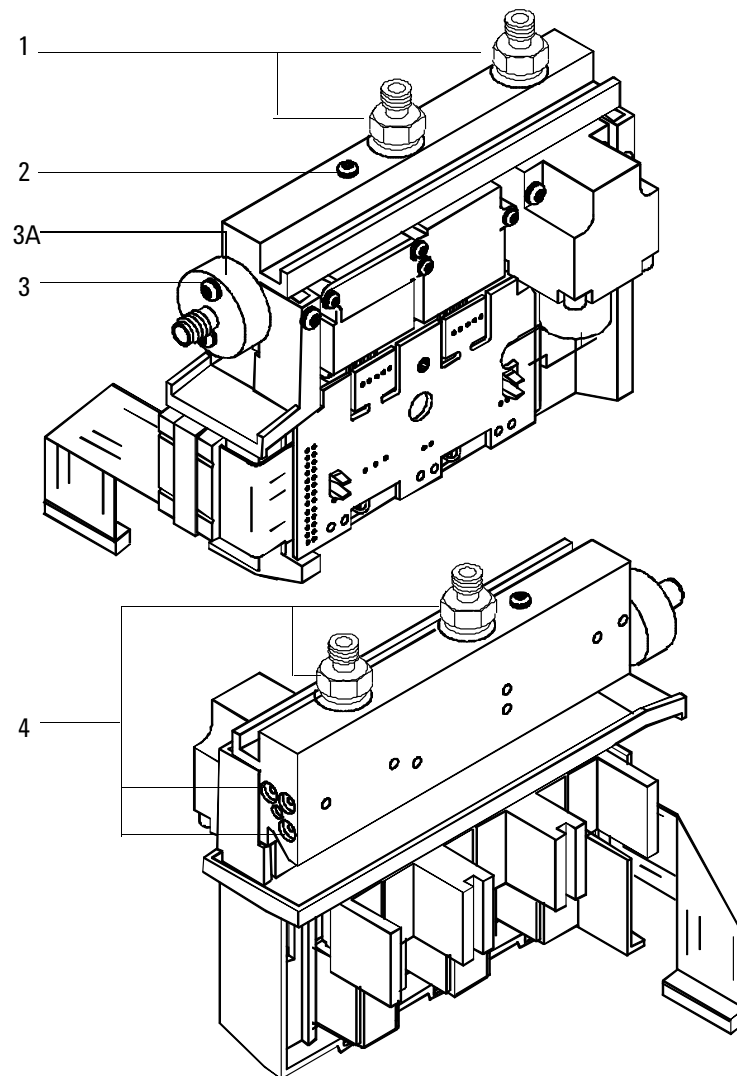


Figure 1310-15 VI manifold assembly 0 to 100 psig

Volatiles interface calibrated manifold assembly**(part no. G2319-60500)**

Description	Part no.	Qty.
1. Male connectors 1/8-inch Swagelok	G1543-80030	2
2. Screw, M4 × 45 mm, Torx T20	0515-2484	1
3. Inlet supply fitting	G1543-20510	1
4. Screw, M3 × 20 mm, Torx T10	0515-1319	8
5. O-rings, under connectors and fitting (12/pkg)	5180-4182	1

For diagram of screw and O-ring placement in pneumatic modules see Figure 1310-7 on page 15 of this section.

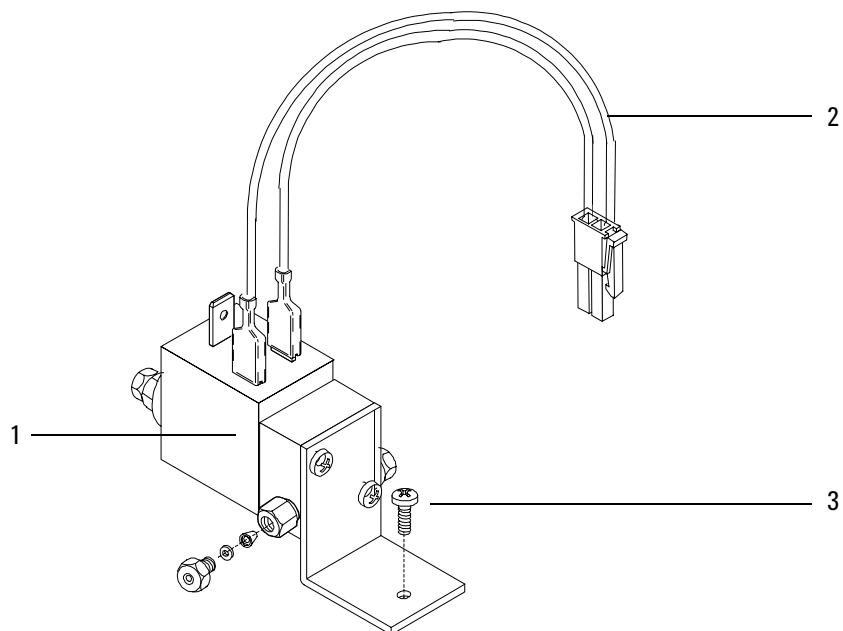
Volatiles interface calibrated manifold assembly**Figure 1310-16 Volatiles interface flow module**

Solvent vapor exit accessory

(part no. G2399-60500)

Description	Part no.	Qty.
1. SVE valve/fitting assembly	G2399-60570	1
2. Valve jumper cable	G2399-60530	1
3. Mach. screw, M4 x 0.7	0515-2755	1
NS SVE software kit	G2399-60580	1
NS SVE calculator SW disk	G2399-80010	1
NS SVE manual-Installation and Operation	G2399-90110	1
NS SVE Tri-column assembly	G2399-60520	1
NS Union SS 1/16-inch tubing	0100-0124	1
NS Chemical sample ECD kit	18713-20400	1
NS 1/16-inch tube SS 560 mm	18900-20400	1
NS Graphite ferrule (2/pk)	(5062-3505 2/pk)	1
NS 320 μ m graphite/vespel ferrule	(5062-9525 1/ea.)	1
NS 0.4 mm, 200, 250 μ m ferrule	(5062-9526 1/ea.)	1
NS Bleed column, 50 μ m, 2M	G2399-20510	1
NS Valve driver cable	G2399-60530	1
NS Unboxed HP-5MS 30 m, 0.25 mm, 0.2	19191S-433A	1
NS Column nut	5181-8830	1
NS SVE pre-column assembly	G2399-60510	1

*Also refer to the *Chemical Analysis Consumables and Accessories Catalog*.

**Figure 1310-17 Solvent vapor exit accessory**

Pneumatics control module

(part no. G2317-65500)

Description	Part no.	Qty.
1. 1/8-inch SwageLok male connector, SAE, brass	G1543-80030	1
2. 100 PSIG inlet supply fitting	G1543-20510	1
3. Screw, M4 × 45 mm, Torx T20	0515-2484	1
4. O-rings, .239 ID (Order part no. 5180-4182, 12/pkg)		1
NS PCM gang weldment	G2319-80500	1

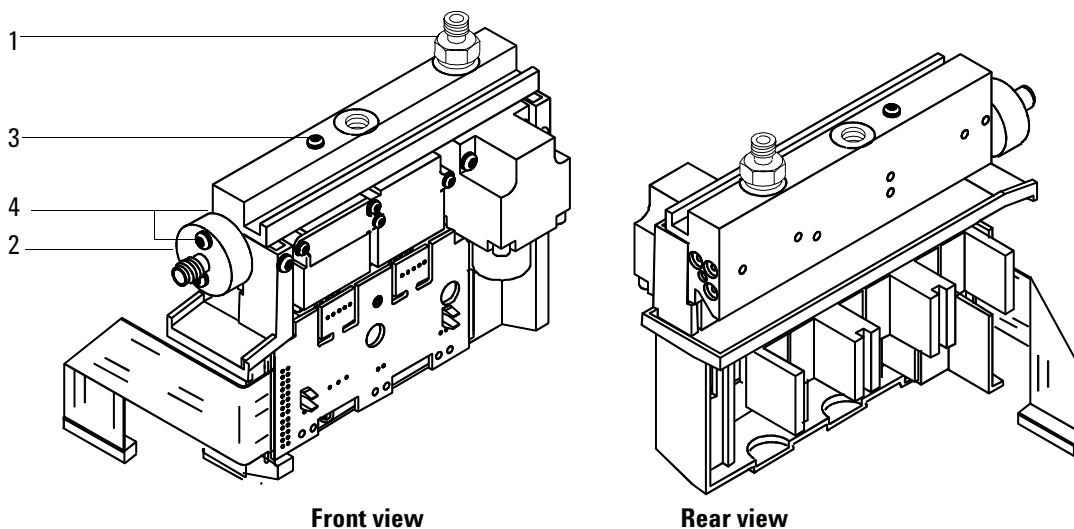


Figure 1310-18 Pneumatics control module

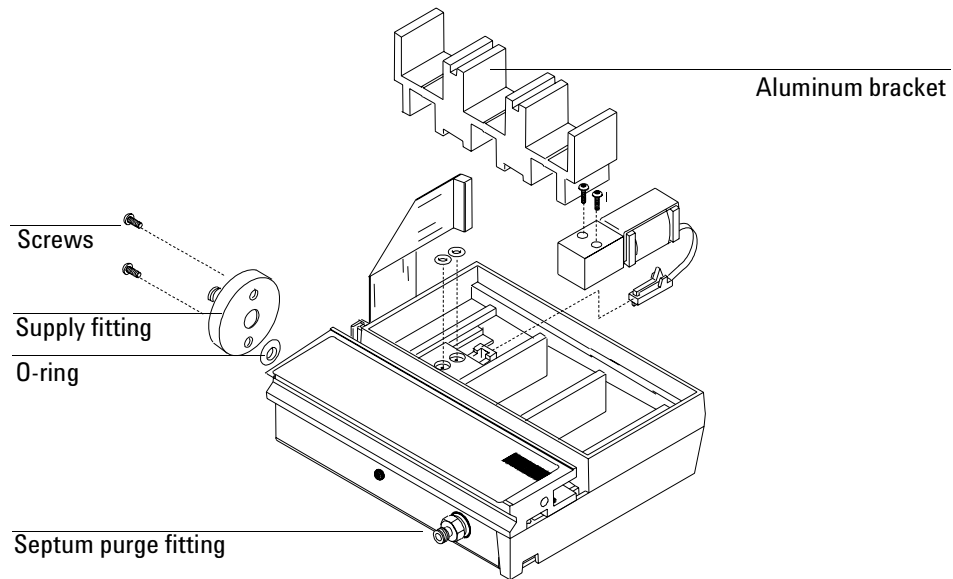


Figure 1310-19 Serviceable parts drawing pneumatic control module

