

1015 Cabling Diagrams, 6890N

Overview of 6890N GC cable connections

There are numerous system configurations available with the 6890N GC, and your cabling requirements will be determined by the system's components. In the figures that follow, refer to the configuration most closely resembling your system. Note that the 6890N does not support GPIB or INET protocols.

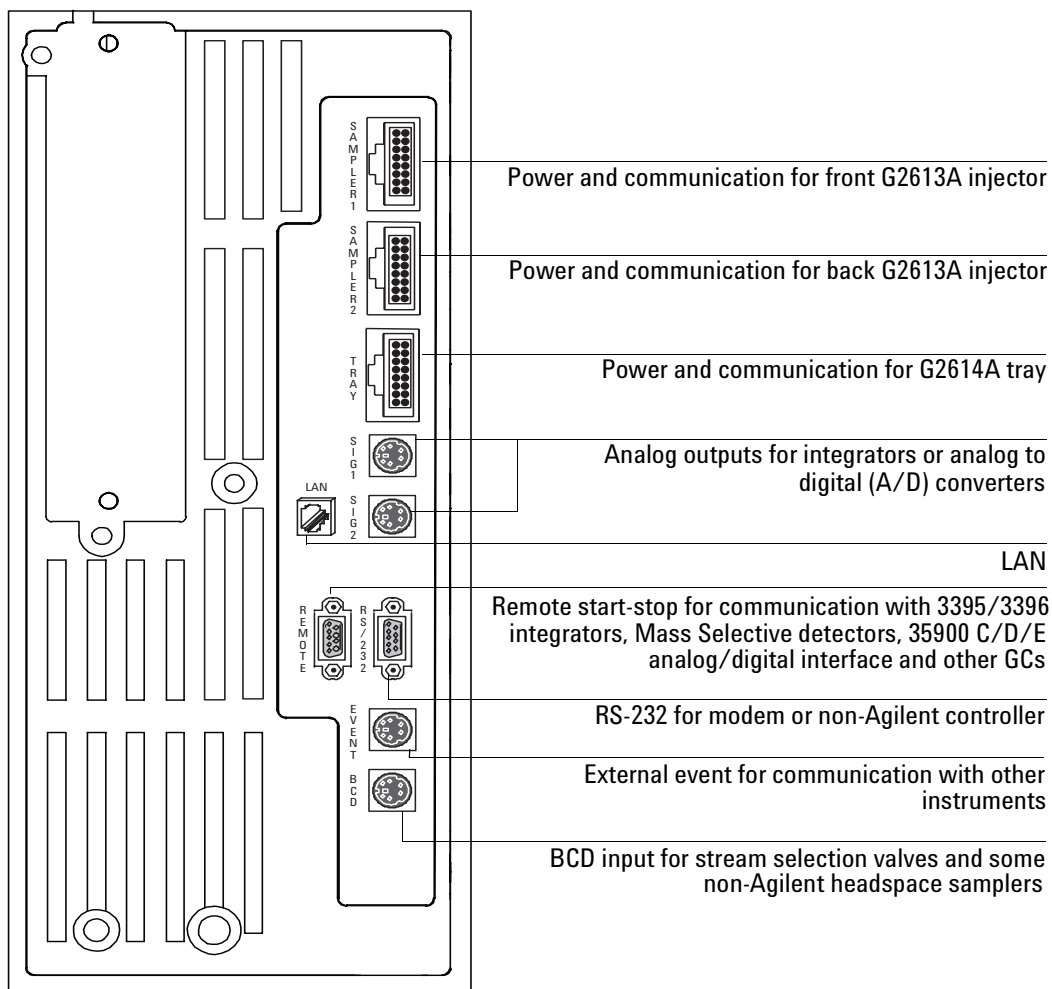
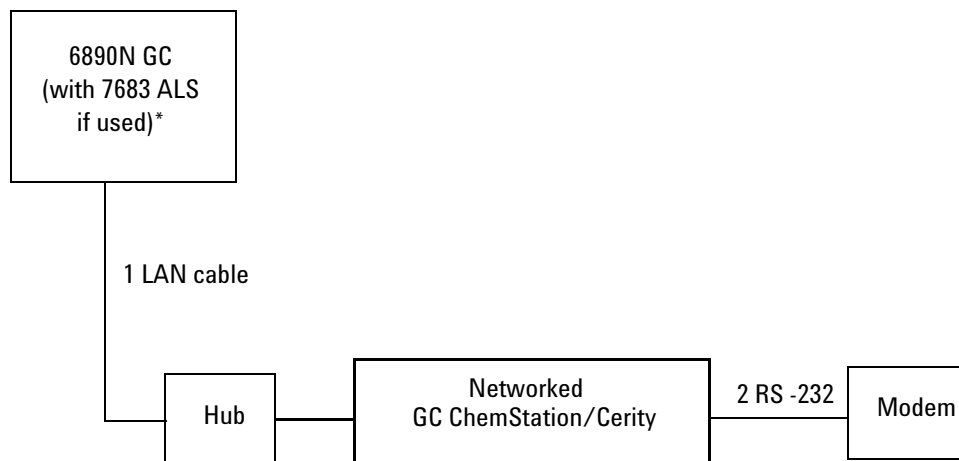


Figure 1015-1 Connectors on the back of the GC

6890N GC

GC ChemStation/Cerity GC Automatic Liquid Sampler



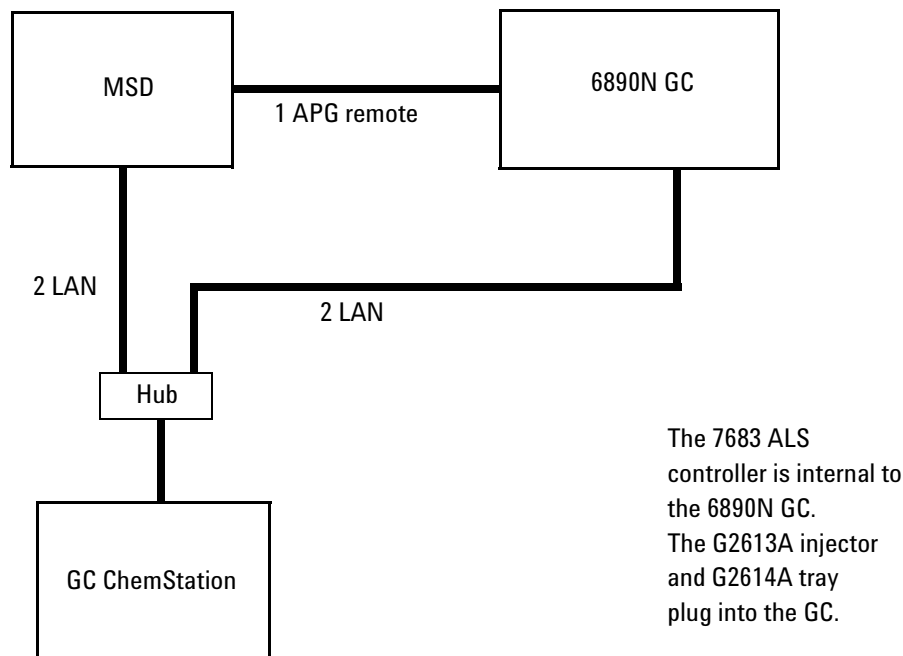
* The 7683 controller is internal to the 6890N GC. The G2613A Injector and the G2614A tray plug directly into the GC.

Number	Part no. and description
1	G1530-61485, Cable, 100 Base T-LAN
2	G1530-61120, RS-232/modem cable or 24540-80012, RS-232/modem cable

Figure 1015-2 GC-networked-GC ChemStation/Cerity-GC ALS

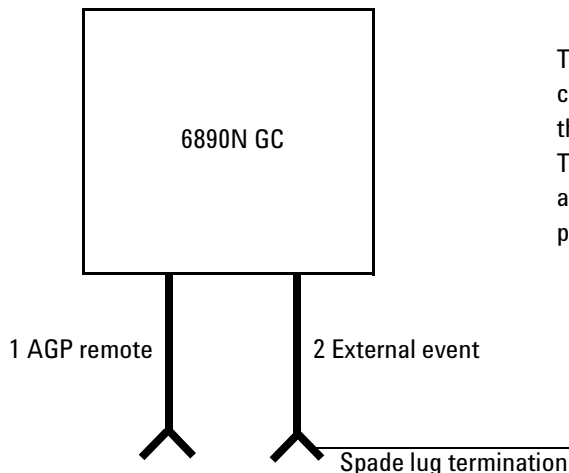
6890N GC

**Mass Selective Detector
GC ChemStation
GC Automatic Liquid Sampler**



Number	Part no. and description
1	G1530-60930, 2-m APG remote cable, 9-pin male/9-pin male
2	G1530-61485, Cable, 100 Base T-LAN

Figure 1015-3

6890N GC**GC Automatic Liquid Sampler
Non-Agilent Data System**

The 7683 ALS controller is internal to the 6890N GC. The G2613A injector and G2614A tray plug into the GC.

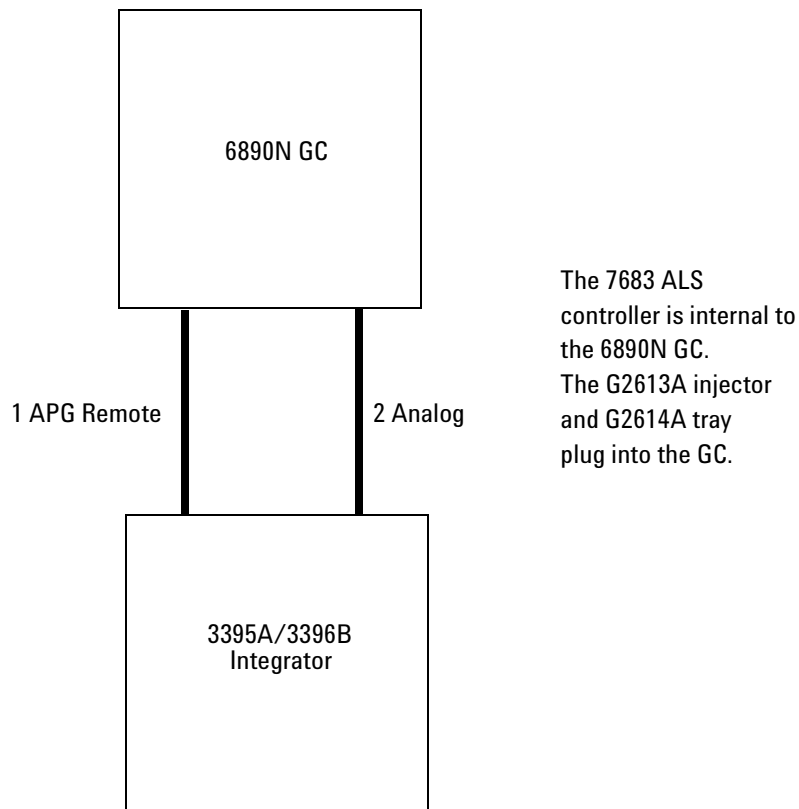
Number	Part no. and description
1	35900-60670, General use APG remote cable, 9-pin male/spade lug (2m) 35900-60920, General use APG remote cable, 9-pin male/spade lug (5m) 35900-60930, General use APG remote cable, 9-pin male/spade lug (0.5m)
2	G1530-60590, External event cable, 8-pin/spade lugs

35900-60670 APG remote cable spade lug identification

Connect 1 9 pin (male)	Signal name	Connector 2 spade lugs
1	GND	Black
2	Prepare	White
3	Start	Red
4	Shut down	Green
5	Reserved	Brown
6	Power on	Blue
7	Ready	Orange
8	Stop	Yellow
9	Start Request	Violet

G1530-60590 External event cable spade lug identification

Pin	Color	Signal
1	Yellow	24 V Out 1
2	Black	24 V Out 2
3	Red	Ground
4	White	Ground
5	Orange	Contact 1
6	Green	Contact 1
7	Brown	Contact 2
8	Blue	Contact 2

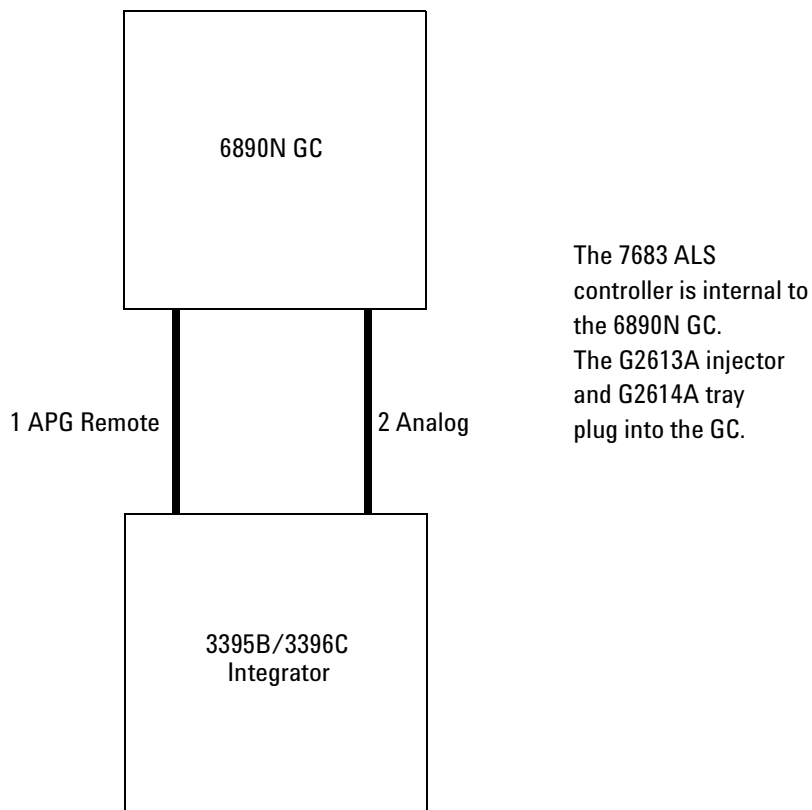
6890N GC**3395A/3396B Integrator
GC Automatic Liquid Sampler**

Number	Part no. and description
1	03396-61020, 2-m APG remote cable, 9-pin/15-pin
2	G1530-60570, 2-m Analog cable, 6-pin

Figure 1015-4

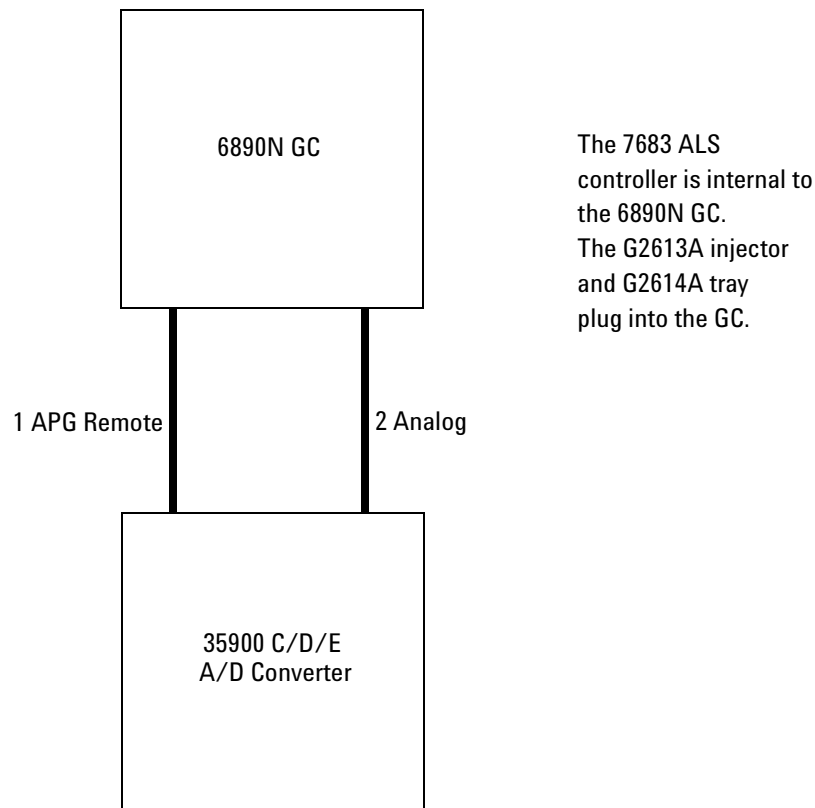
6890N GC

3395B/3396C Integrator GC Automatic Liquid Sampler



Number	Part no. and description
1	03396-61010, APG remote cable, 9-pin/15-pin
2	G1530-60570, 2-m Analog cable, 6-pin

Figure 1015-5

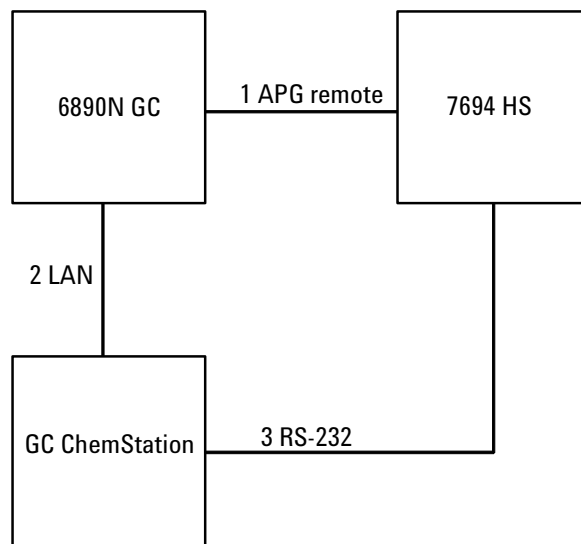
6890N GC**35900C/D/E Analog-to-Digital Converter
GC Automatic Liquid Sampler**

Number	Part no. and description
1	G1530-60930, 2-m APG remote cable, 9-pin male/9-pin male
2	G1530-60570, 2-m Analog cable, 6-pin

Figure 1015-6

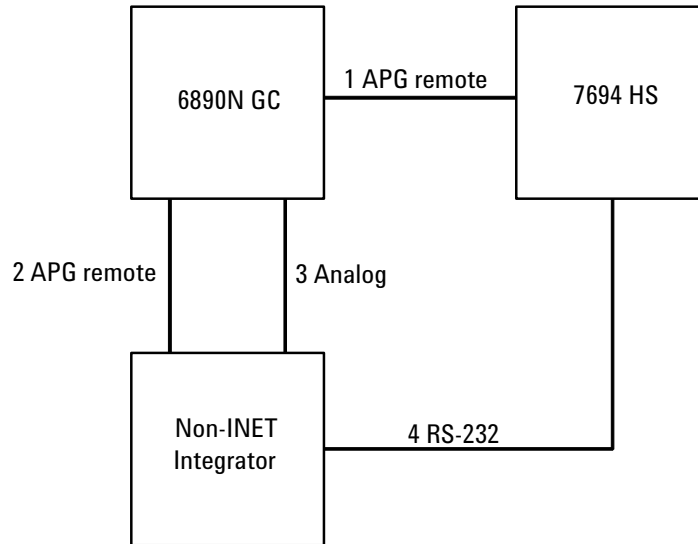
6890N GC

7694 Headspace Sampler GC ChemStation



Number	Part no. and description
1	G1290-60575, APG remote cable, 3-pin male/4-pin male
2	G1530-61485, Cable, 100 Base T-LAN
3	G1290-60650, RS-232 cable, 9-pin female/9-pin female

Figure 1015-7

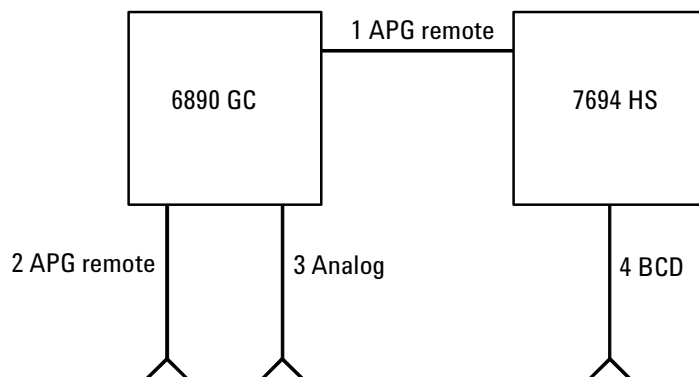
6890N GC**7694 Headspace Sampler
Non-INET Integrator**

Number	Part no. and description
1	G1290-60575, APG remote cable, 3-pin male/4-pin male
2	03396-61010, APG remote cable, 9-pin/15-pin (for 3395B/ 3396C) OR 03396-61020, APG remote cable, 9-pin/15-pin (for 3395A/ 3396B)
3	G1530-60570, 2-m Analog cable, 6-pin
4	03396-60530, RS-232 cable, 15-pin male/9-pin female

Figure 1015-8

6890N GC

7694 Headspace Sampler



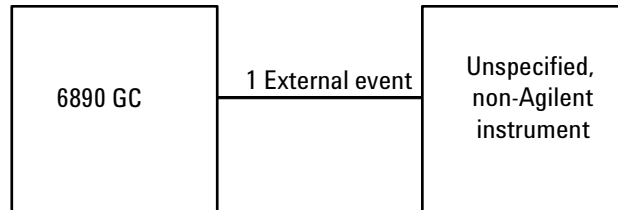
Number	Part no. and description
1	G1290-60575, APG remote cable, 3-pin male/4-pin male
2	35900-60670, 2-m APG remote cable, 9-pin male/spade lugs
3	G1530-60560, Analog cable, 6-pin/spade lugs
4	03396-60570, Binary-coded decimal cable

G1530-60560 analog cable spade lug identification

Pin	Color	Signal
1	Black	1 mV COM
2	Red	1 V and 1 DV COM
3	White	1 mV
4	Orange	1 V
5	Brown	Chassis ground
6	Blue	1 DV

Figure 1015-9

6890N GC External Events (an unspecified, non-Agilent instrument)

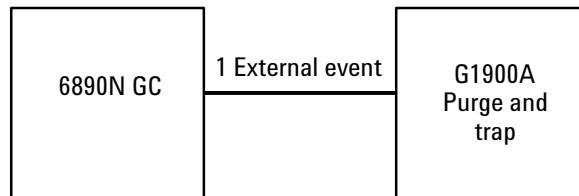
6890N GC**External Events
(an unspecified, non-Agilent instrument)**

Number	Part no. and description
1	G1530-60590, External events cable, 8-pin/spade lugs

Connector	Signal name	Maximum rating	Wire terminations	Corresponds to valve #
24 volt control output				
1	24 volt output 1	75 mA output	Yellow	5
2	24 volt output 2	75 mA output	Black	6
3	Ground		Red	
4	Ground		White	
Relay contact closures (normally open)				
5	Contact closure 1	48V AC/DC, 250 mA	Orange	7
6	Contact closure 1		Green	7
7	Contact closure 2	48 V AC/DC, 250 mA	Brown or violet	8
8	Contact closure 2		Blue	8

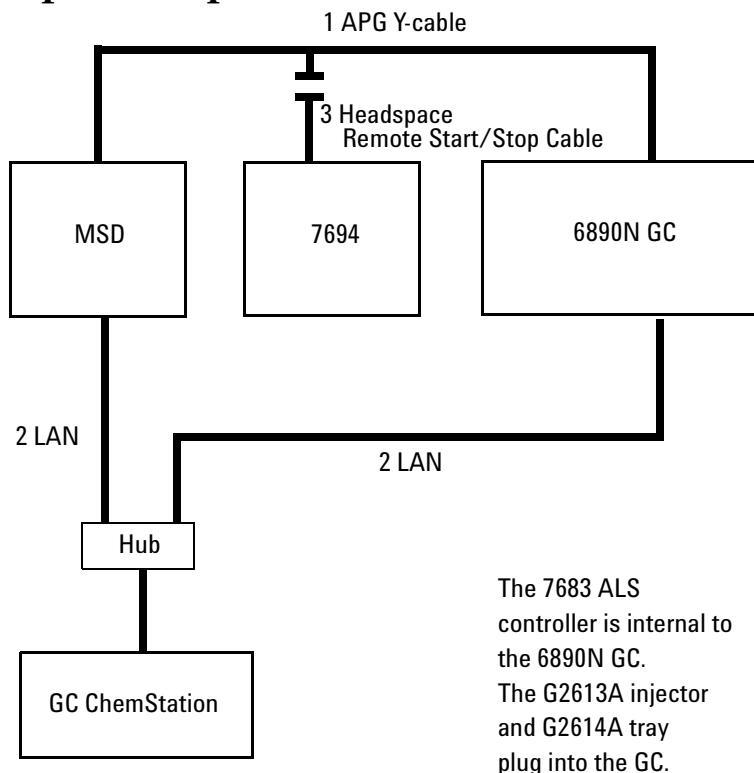
Figure 1015-10 External event connections

6890N GC
G1900A Purge and Trap



Number	Part no. and description
1	G1900-60820, APG remote cable

Figure 1015-11

6890N GC**Mass Selective Detector
GC ChemStation/Cerity
Headspace Sampler**

Number	Part no. and description
1	G1530-61200, 2m APG Y-cable
2	G1530-61485, Cable, 100 Base T-LAN
3	G1290-60575, Headspace Remote Start/Stop cable

Figure 1015-12