

1010 Cabling Diagrams, 6890A and 6890 Plus

Overview of 6890 GC cable connections

There are numerous system configurations available with the 6890 GC, and your cabling requirements will be determined by the system's components. In the figures that follow, refer to the configuration most closely resembling your system.

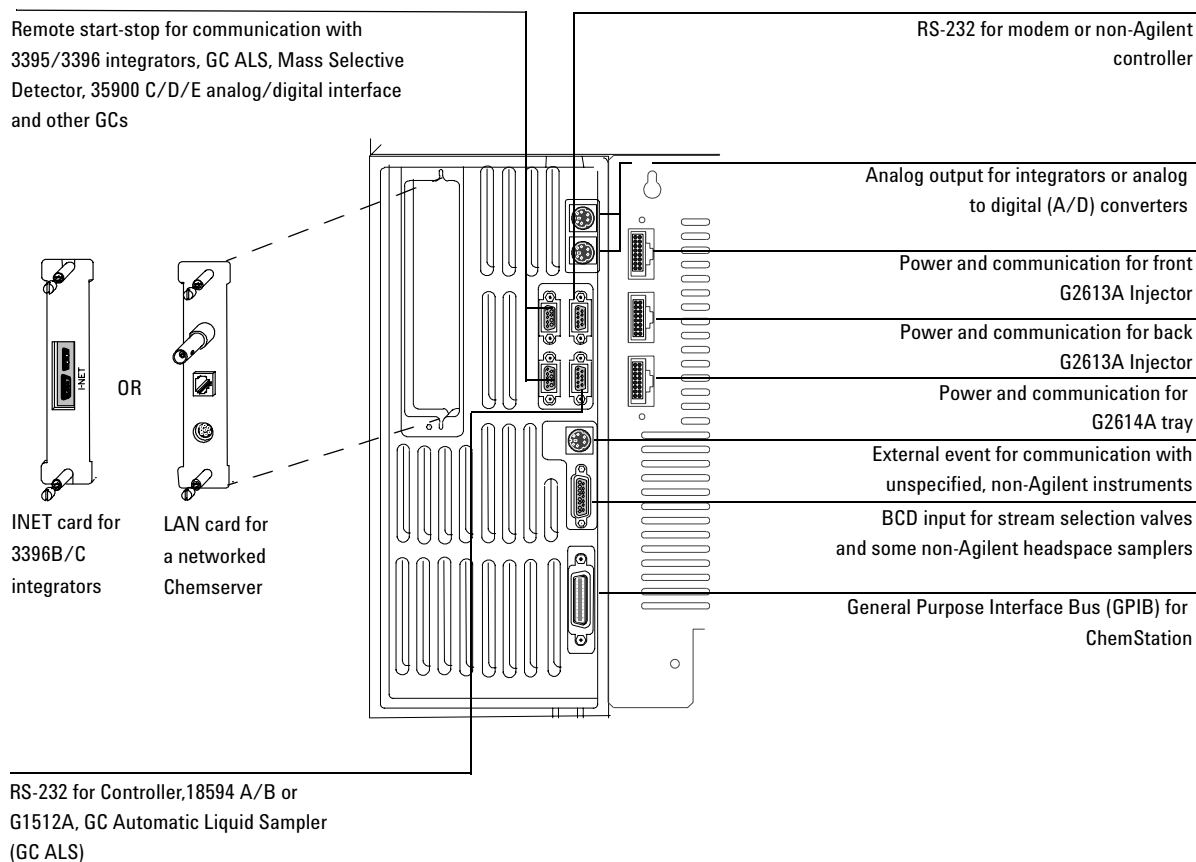
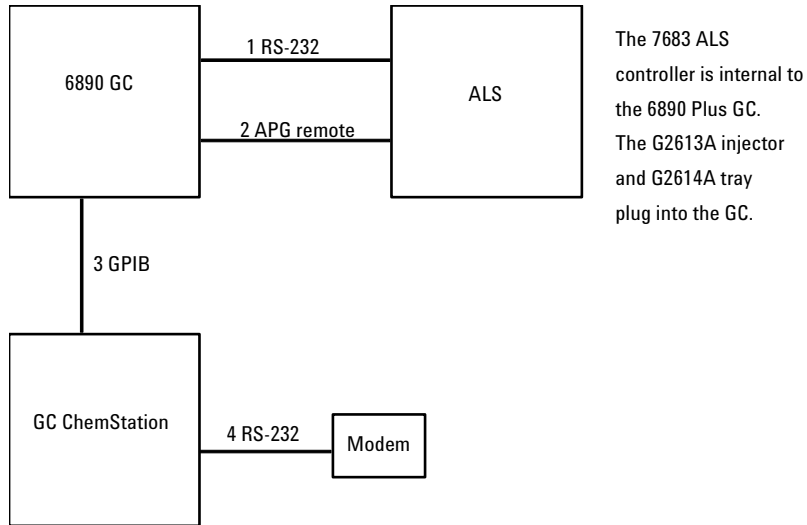


Figure 1010-1 Connectors on the back of the GC

6890 GC

GC ChemStation GC Automatic Liquid Sampler

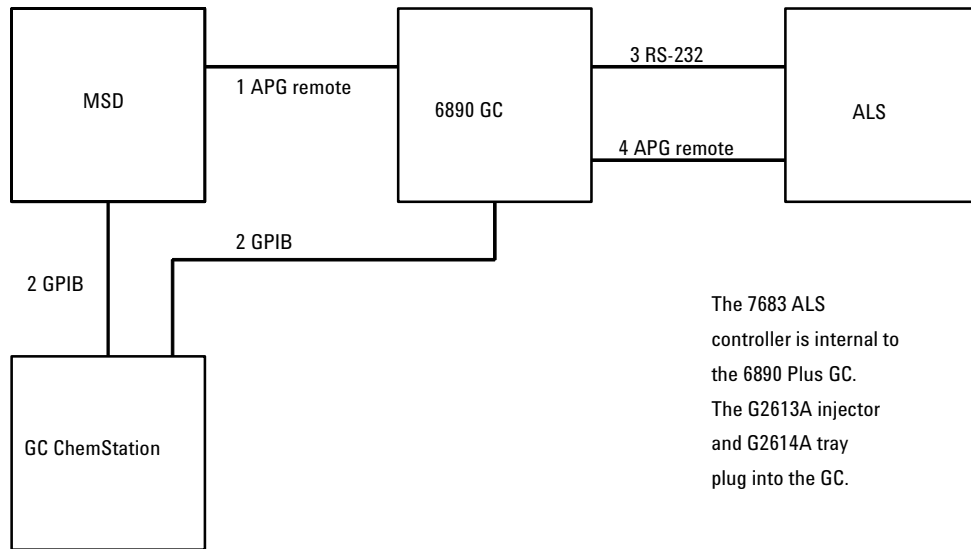


Number	Part no. and description
1	G1530-60600, RS-232 cable, 9-pin female/9-pin female
2	G1530-60930, 2-m APG remote cable, 9-pin male/9-pin male
3	8120-3446, 2-m GPIB cable
4	24542M (also 24540-80012), RS-232 cable

Figure 1010-2

6890 GC

**Mass Selective Detector
GC ChemStation
GC Automatic Liquid Sampler**

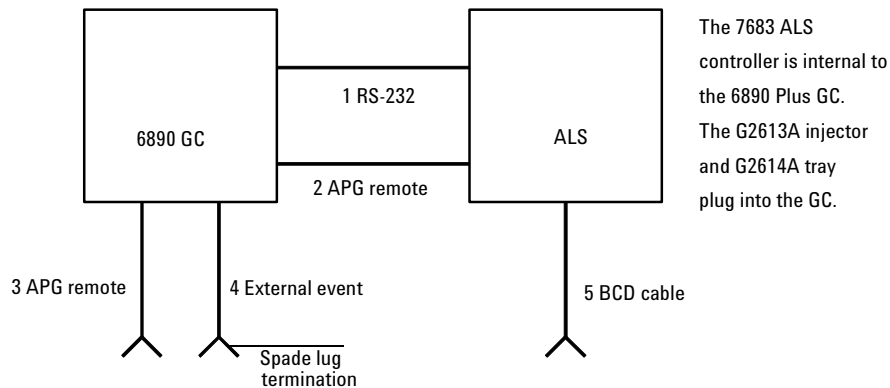


Number	Part no. and description
1	G1530-60930, 2-m APG remote cable, 9-pin male/9-pin male
2	8120-3446, 2-m GPIB cable
3	G1530-60600, 2-m RS-232 cable, 9-pin female/9-pin female
4	G1530-60930, 2-m APG remote cable, 9-pin male/9-pin male

Figure 1010-3

6890 GC

GC Automatic Liquid Sampler Non-Agilent Data System



Number	Part no. and description
1	G1530-60600, 2-m RS-232 cable, 9-pin female/9-pin female
2	G1530-60930, 2-m APG remote cable, 9-pin male/9-pin male
3	35900-60670, General use APG remote cable, 9-pin male/spade lug
4	G1530-60590, External event cable, 8-pin/spade lugs
5	G1530-60630, General purpose BCD cable

35900-60670 APG remote cable spade lug identification

Connect 1 9 pin (male)	Signal name	Connector 2 spade lugs
1	GND	Black
2	Prepare	White
3	Start	Red
4	Shut down	Green
5	Reserved	Brown
6	Power on	Blue
7	Ready	Orange
8	Stop	Yellow
9	Start Request	Violet

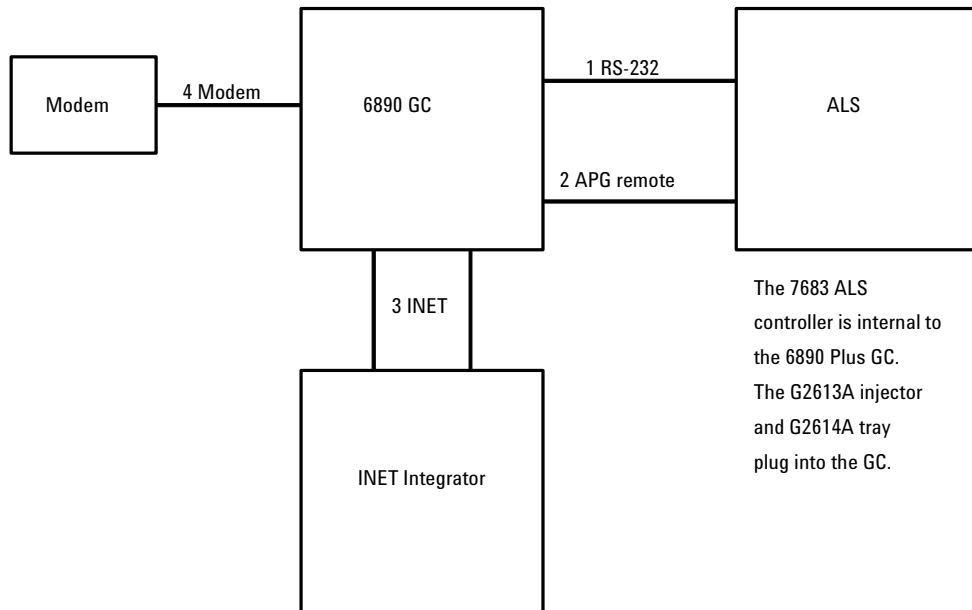
G1530-60590 External event cable spade lug identification

Pin	Color	Signal
1	Yellow	24 V Out 1
2	Black	24 V Out 2
3	Red	Ground
4	White	Ground
5	Orange	Contact 1
6	Green	Contact 1
7	Brown	Contact 2
8	Blue	Contact 2

Figure 1010-4

6890 GC

3396B/C INET Integrator GC Automatic Liquid Sampler Modem

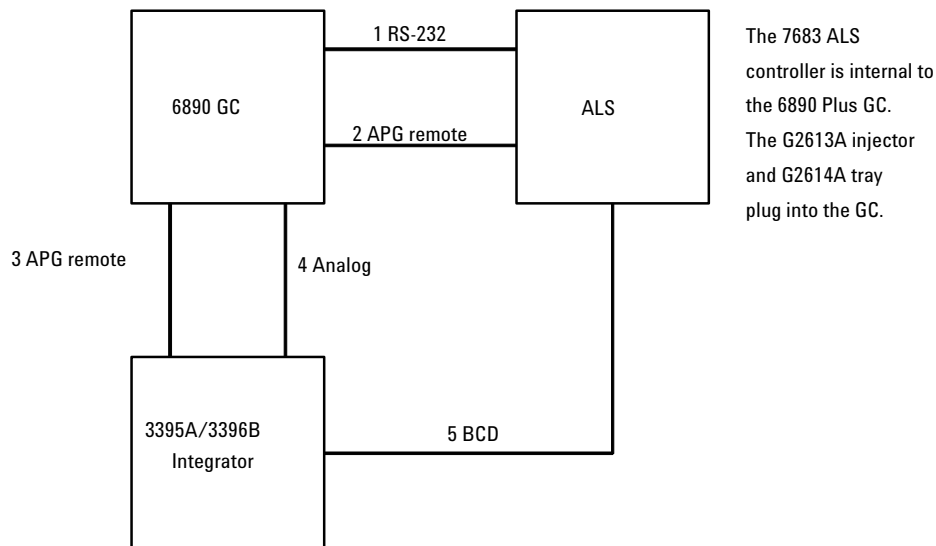


Number	Part no. and description
1	G1530-60600, 2-m RS-232 cable, 9-pin female/9-pin female
2	G1530-60930, 2-m APG remote cable, 9-pin male/9-pin male
3	Two 82167-60003, 5-m INET cables
4	G1530-61120, Modem cable, 9-pin female/9-pin male OR 24540-80012 (also 24542M), Modem cable 9-pin female/25-pin male

Figure 1010-5

6890 GC

3395A/3396B Integrator GC Automatic Liquid Sampler

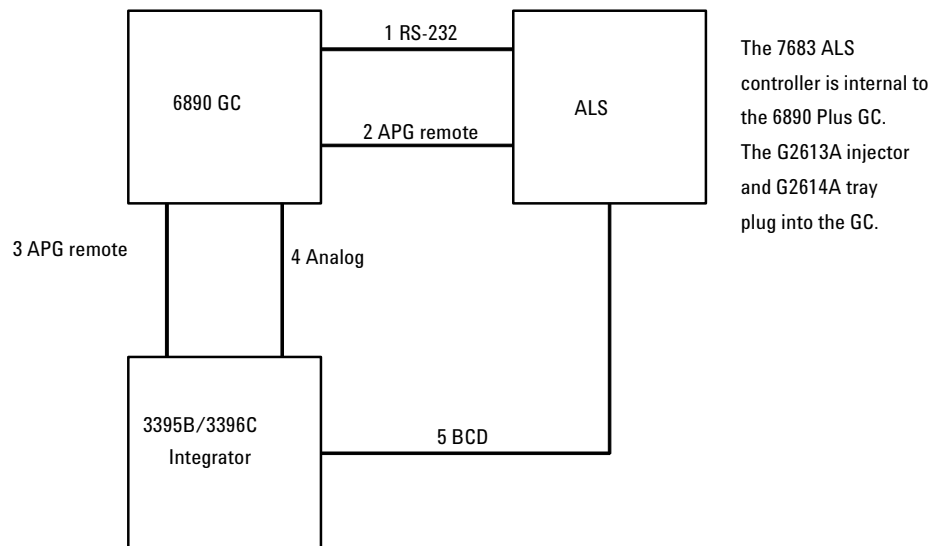


Number	Part no. and description
1	G1530-60600, 2-m RS-232 cable, 9-pin female/9-pin female
2	G1530-60930, 2-m APG remote cable, 9-pin male/9-pin male
3	03396-61020, 2-m APG remote cable, 9-pin/15-pin
4	G1530-60570, 2-m Analog cable, 6-pin
5	03396-60560, BCD cable

Figure 1010-6

6890 GC

3395B/3396C Integrator GC Automatic Liquid Sampler

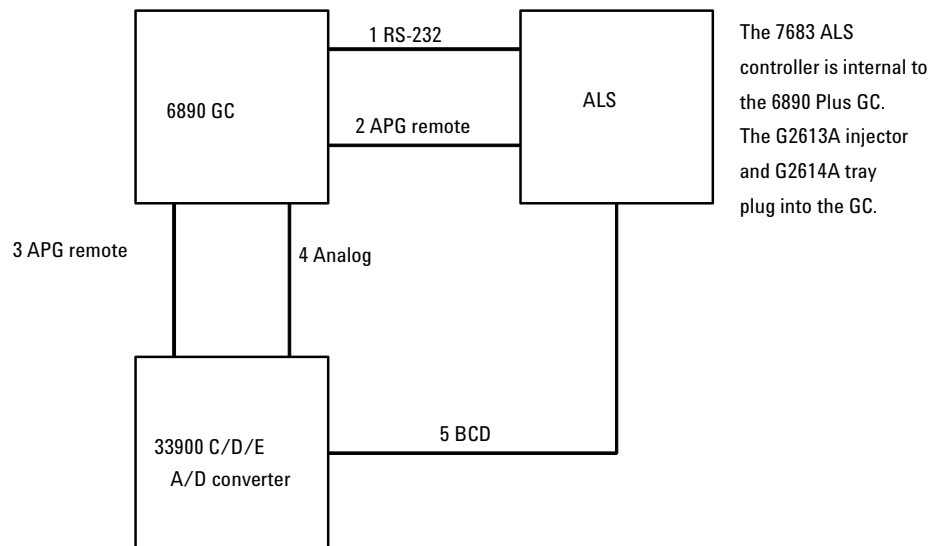


Number	Part no. and description
1	G1530-60600, 2-m RS-232 cable, 9-pin female/9-pin female
2	G1530-60930, 2-m APG remote cable, 9-pin male/9-pin male
3	03396-61010, APG remote cable, 9-pin/15-pin
4	G1530-60570, 2-m Analog cable, 6-pin
5	03396-60560, BCD cable

Figure 1010-7

6890 GC

35900C/D/E Analog-to-Digital Converter GC Automatic Liquid Sampler

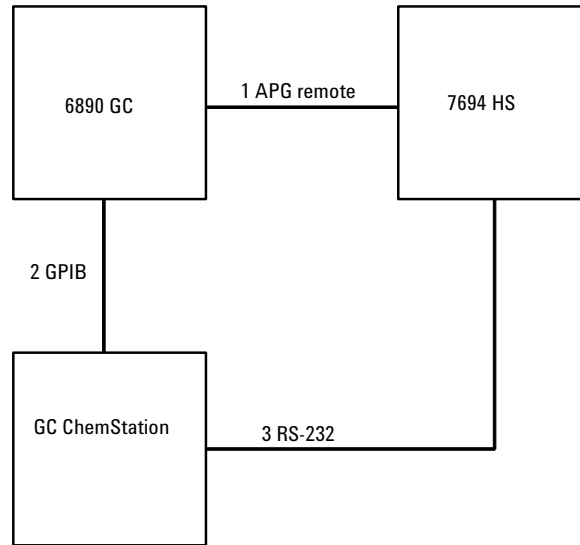


Number	Part no. and description
1	G1530-60600, 2-m RS-232 cable, 9-pin female/9-pin female
2	G1530-60930, 2-m APG remote cable, 9-pin male/9-pin male
3	G1530-60930, 2-m APG remote cable, 9-pin male/9-pin male
4	G1530-60570, 2-m Analog cable, 6-pin
5	35900-60850, BCD cable

Figure 1010-8

6890 GC

7694 Headspace Sampler GC ChemStation

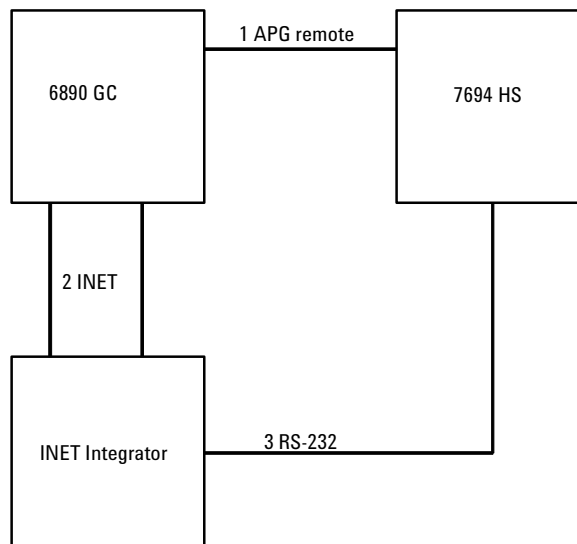


Number	Part no. and description
1	G1290-60575, APG remote cable, 3-pin male/4-pin male
2	8120-3446, 2-m GPIB cable
3	24542U, RS-232 cable, 9-pin female/9-pin female

Figure 1010-9

6890 GC

7694 Headspace Sampler 3396B/C INET Integrator

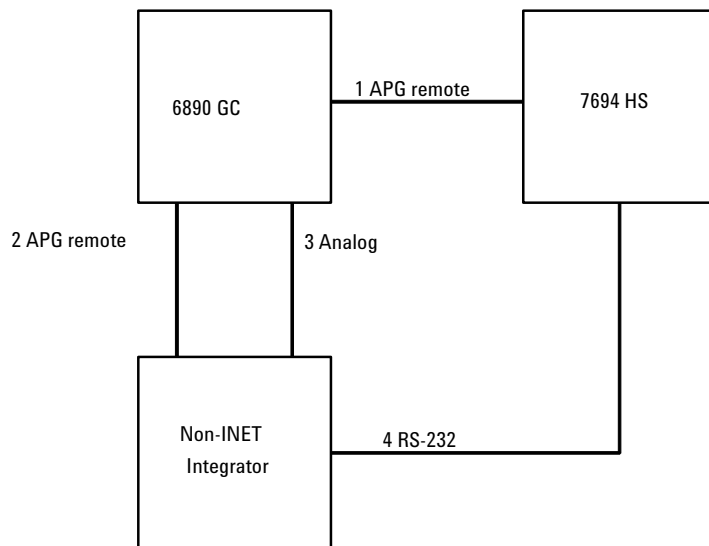


Number	Part no. and description
1	G1290-60575, APG remote cable, 3-pin male/4-pin male
2	Two 82167-60003, 5-m INET cables
3	03396-60530, RS-232 cable, 15-pin male/9-pin female

Figure 1010-10

6890 GC

7694 Headspace Sampler Non-INET Integrator

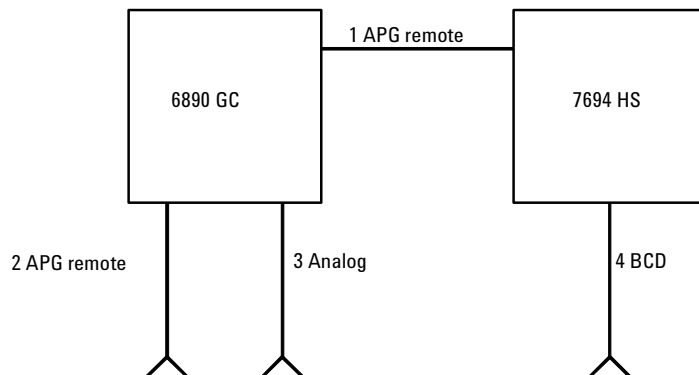


Number	Part no. and description
1	G1290-60575, APG remote cable, 3-pin male/4-pin male
2	03396-61010, APG remote cable, 9-pin/15-pin (for 3395B/ 3396C) OR 03396-61020, APG remote cable, 9-pin/15-pin (for 3395A/ 3396B)
3	G1530-60570, 2-m Analog cable, 6-pin
4	03396-60530, RS-232 cable, 15-pin male/9-pin female

Figure 1010-11

6890 GC

7694 Headspace Sampler



Number	Part no. and description
1	G1290-60575, APG remote cable, 3-pin male/4-pin male
2	35900-60670, 2-m APG remote cable, 9-pin male/spade lugs
3	G1530-60560, Analog cable, 6-pin/spade lugs
4	03396-60570, Binary-coded decimal cable

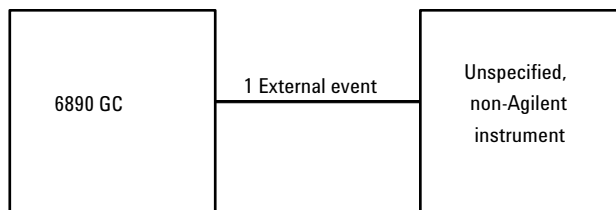
G1530-60560 analog cable spade lug identification

Pin	Color	Signal
1	Black	1 mV COM
2	Red	1 V and 1 DV COM
3	White	1 mV
4	Orange	1 V
5	Brown	Chassis ground
6	Blue	1 DV

Figure 1010-12

6890 GC

External Events (an unspecified, non-Agilent instrument)



Number	Part no. and description
1	G1530-60590, External events cable, 8-pin/spade lugs

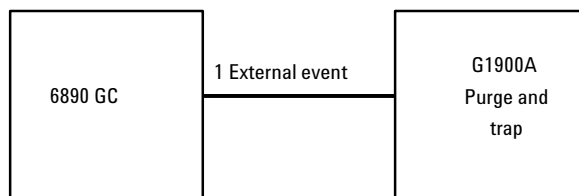
Part no. G1530-60590 external event cable spade lug identification

Pin	Color	Signal
1	Yellow	24 V Out 1
2	Black	24 V Out 2
3	Red	Ground
4	White	Ground
5	Orange	Contact 1
6	Green	Contact 1
7	Brown	Contact 2
6	Blue	Contact 2

Figure 1010-13

6890 GC

G1900A Purge and Trap



Number	Part no. and description
1	G1900-60820, APG remote cable

Figure 1010-14