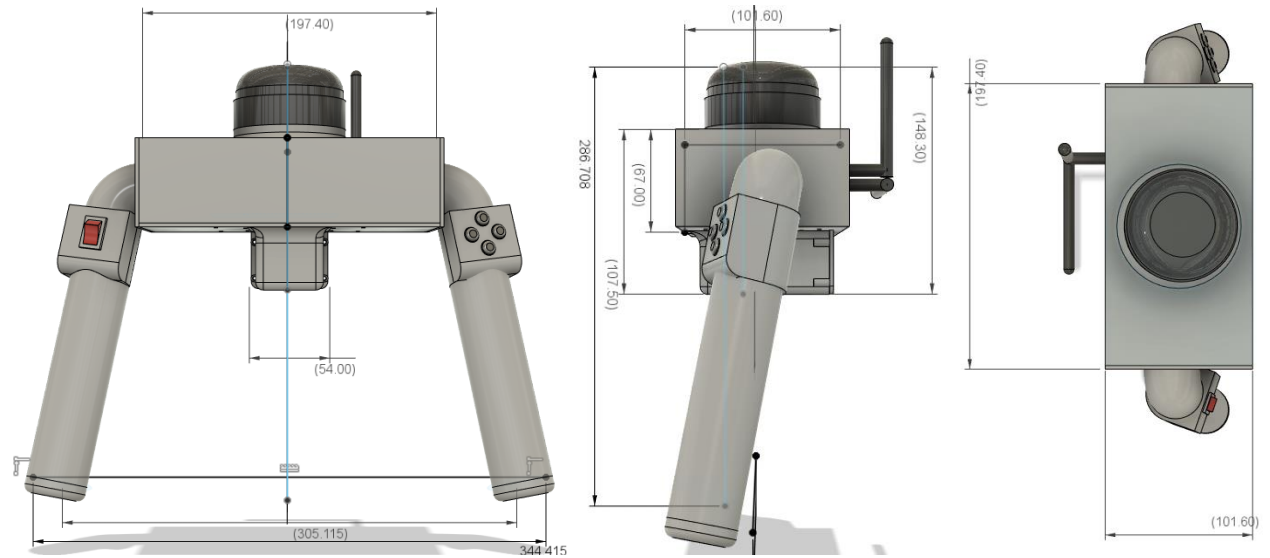


MAPPA SIGNA

Draft I



RPLIDAR A2M8

Raspberry Pi 3B+

Kill Switch

- Power Disconnect

Battery

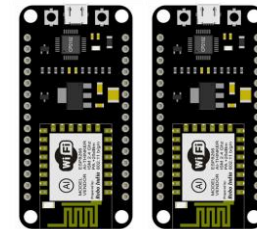
- Rechargeable Li-Ion Battery
- 7.2V / 6500mAh, 46.8 Wh

Device Controls

- Record Data
- Generate Heatmap
- Transfer Data
- Safe Shutdown

WiFi Antennas (2)

PCB



Node
MCU
Amica (2)

Step Down Regulator

