



# THE AUTOMATED BARTENDER

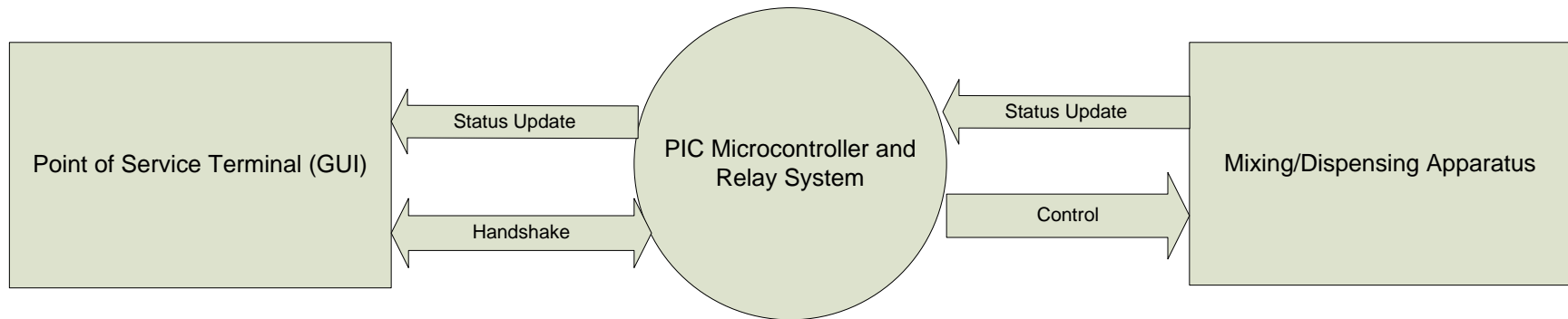
Project Design

Prototype Design

# Project Design – Block Conception

## Automated Bartender

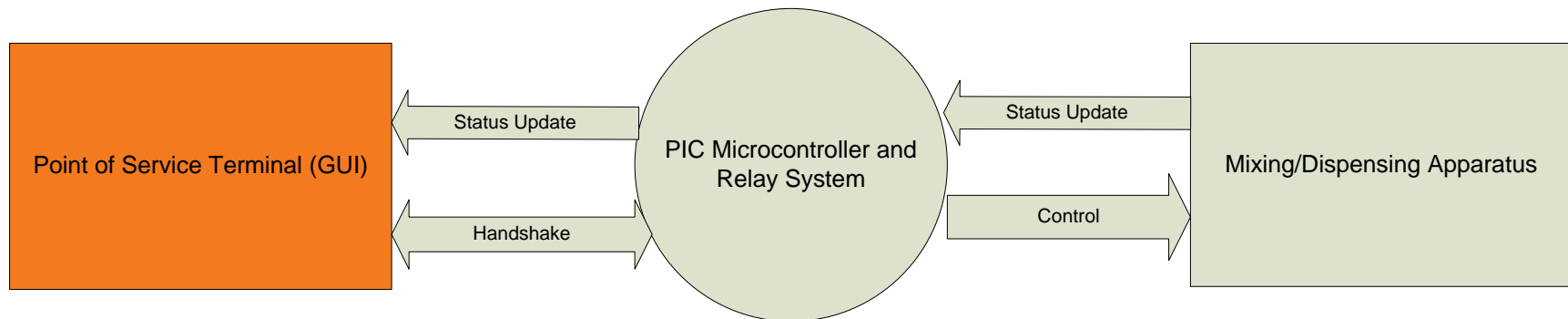
General Block Diagram



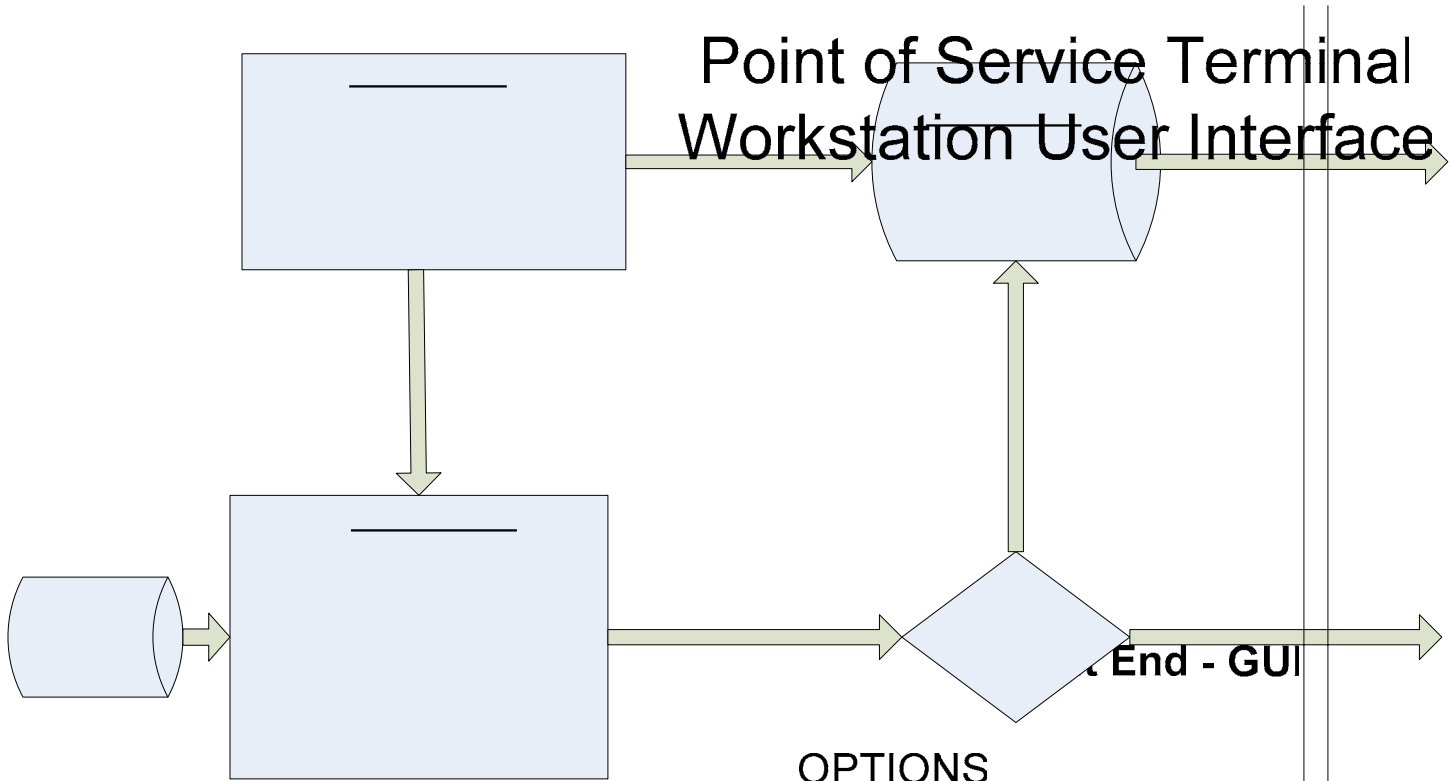
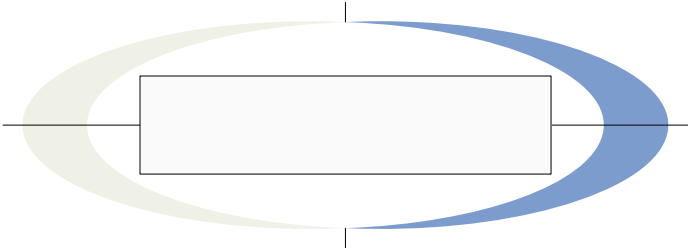
# Project Design – Block Conception

## Automated Bartender

General Block Diagram

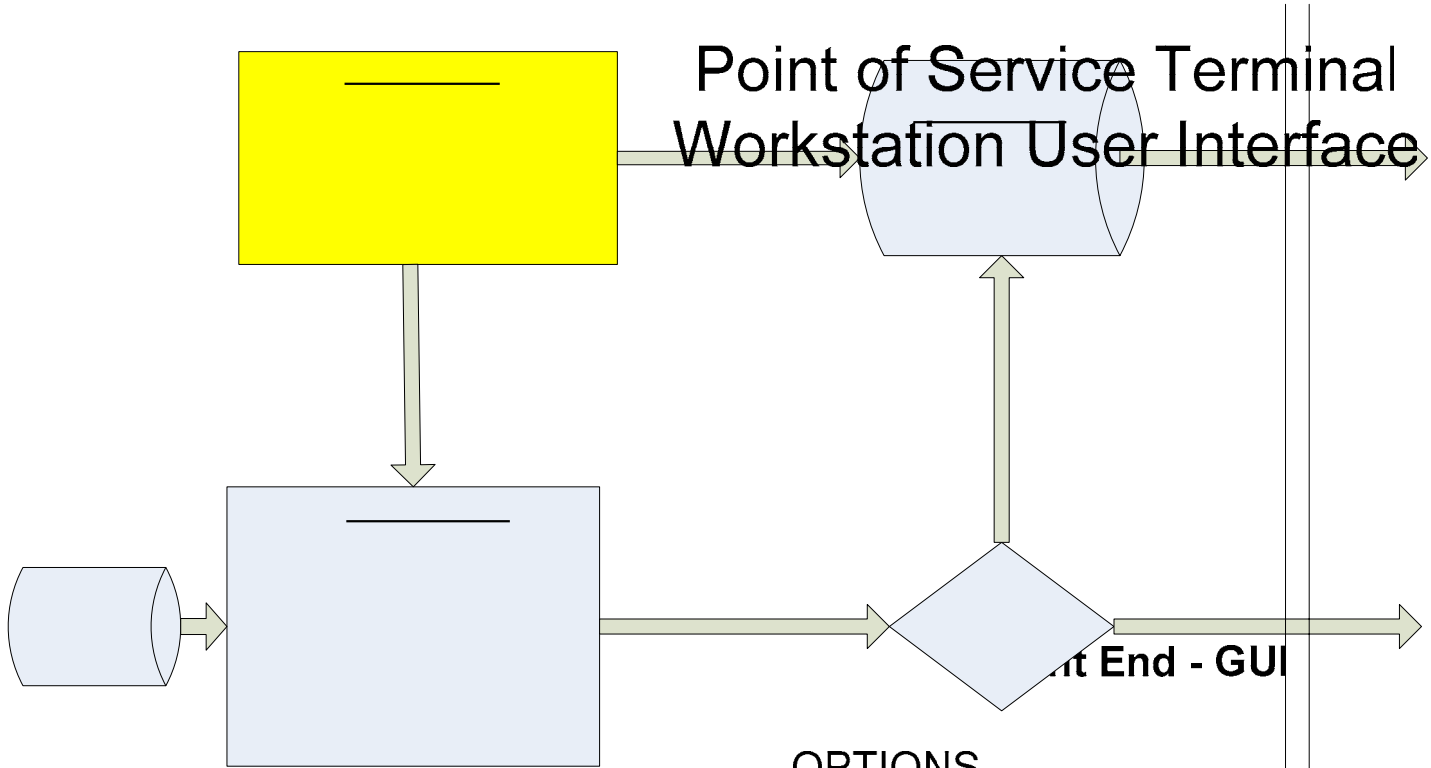
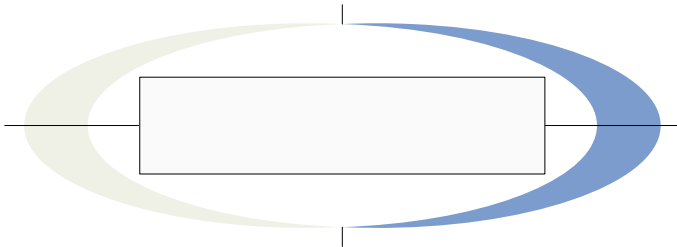


Project Design – POS Terminal



- Create a Drink
- Select a Drink
  - Create a New Drink
  - Systems Management

# Project Design – POS Terminal Walk Through



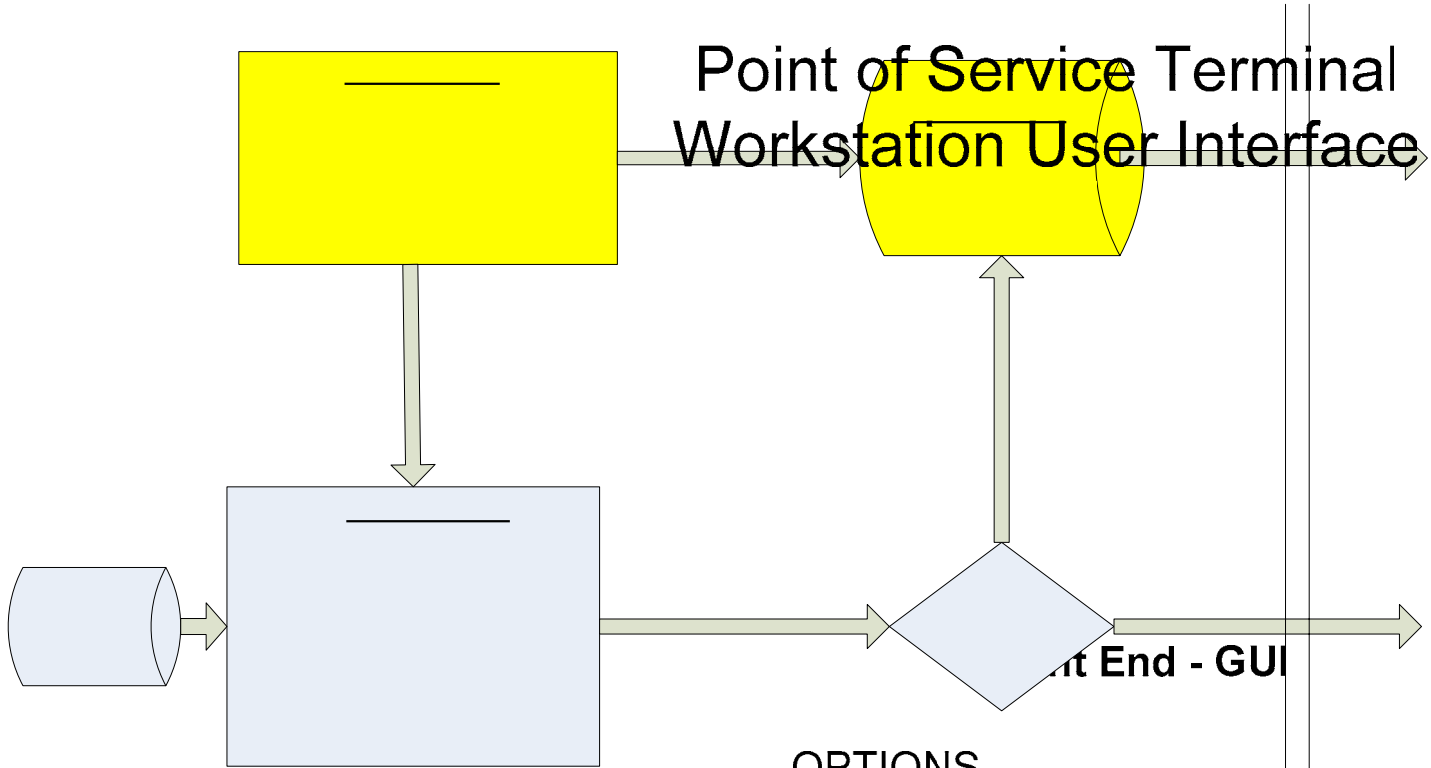
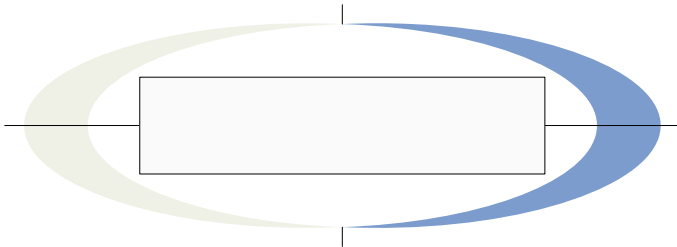
## OPTIONS

- Select a Drink
- Create a New Drink
- Systems Management

Select a D

Create a Drink

# Project Design – POS Terminal Walk Through



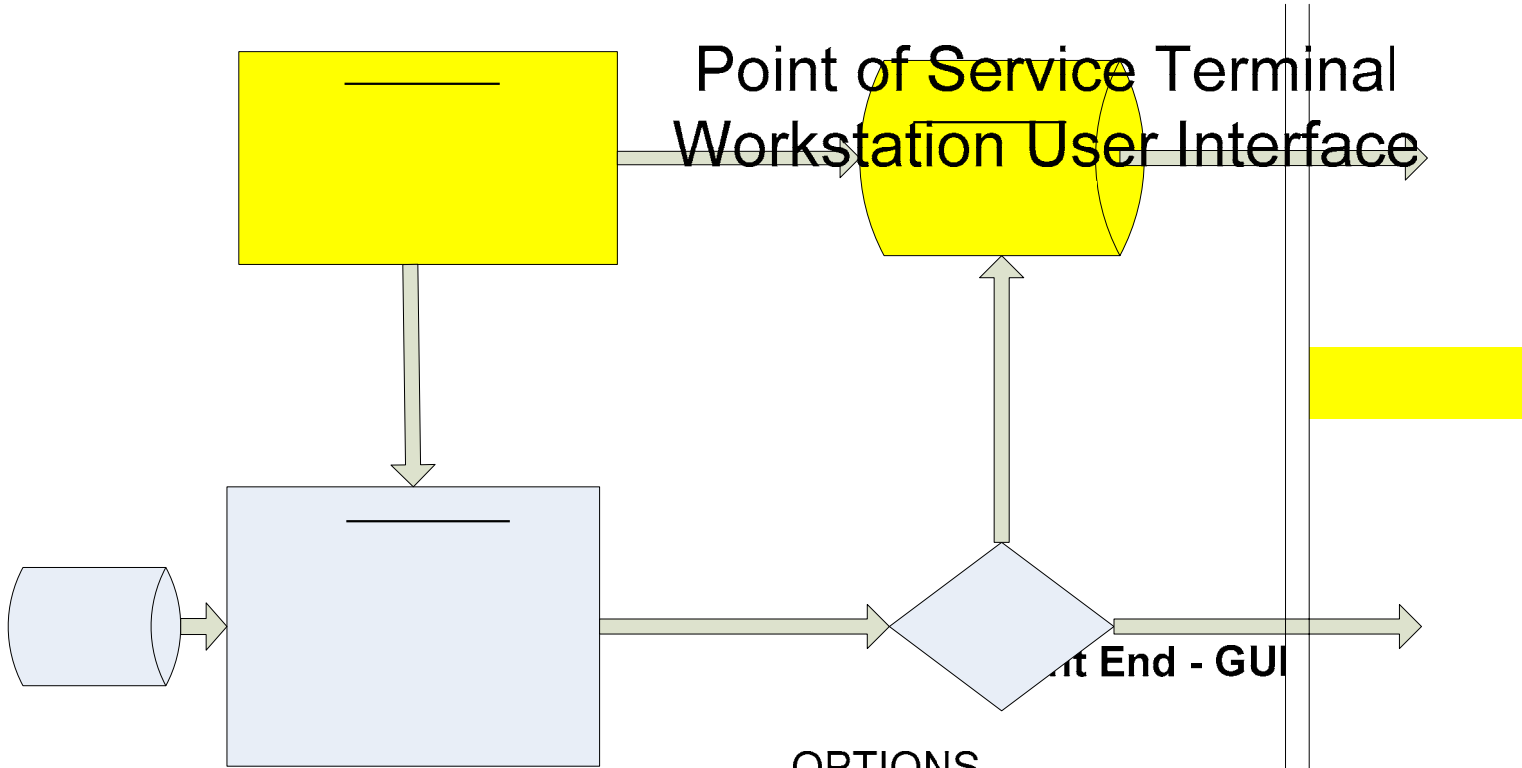
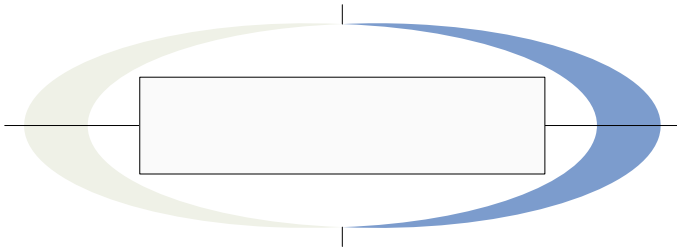
## OPTIONS

- Select a Drink
- Create a New Drink
- Systems Management

Select a D

Create a Drink

# Project Design – POS Terminal Walk Through



- OPTIONS
- Select a Drink
  - Create a New Drink
  - Systems Management

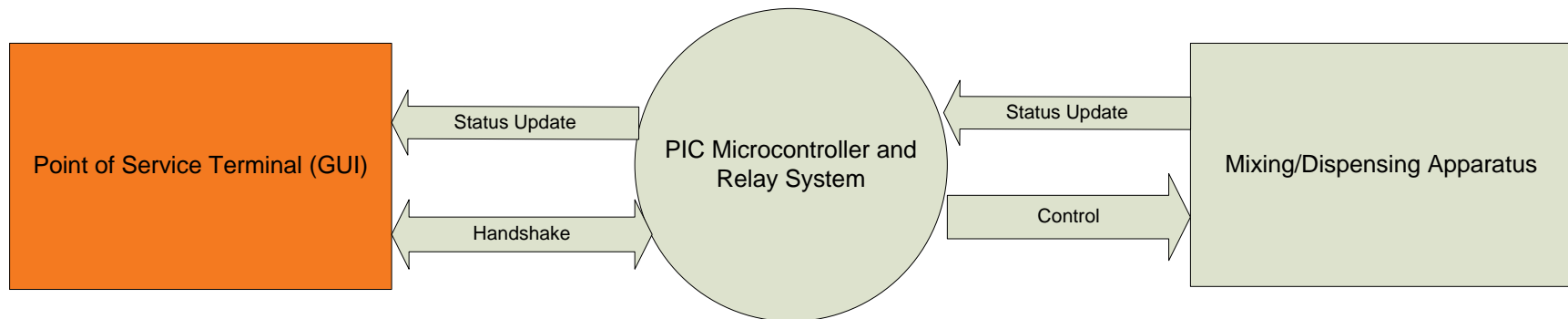
Select a D

Create a Drink

# Project Design – Block Conception

## Automated Bartender

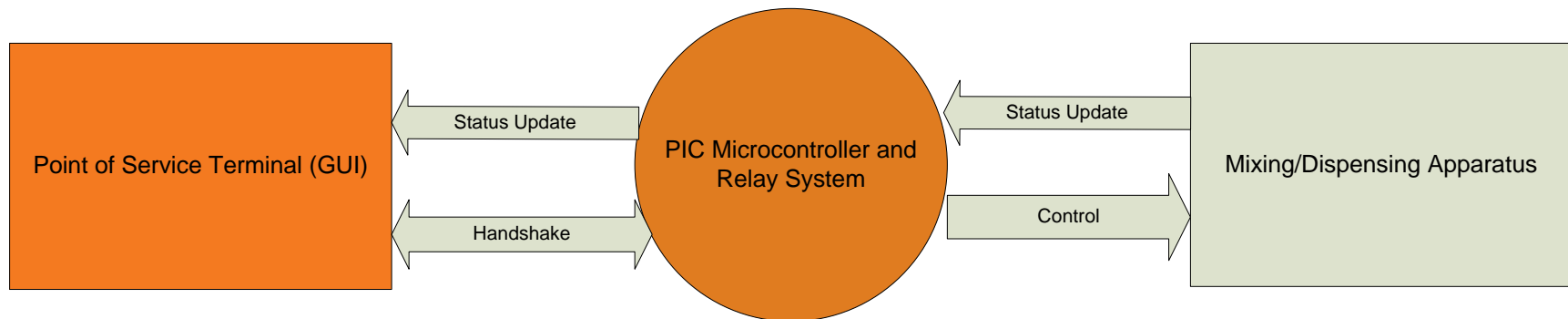
General Block Diagram



# Project Design – Block Conception

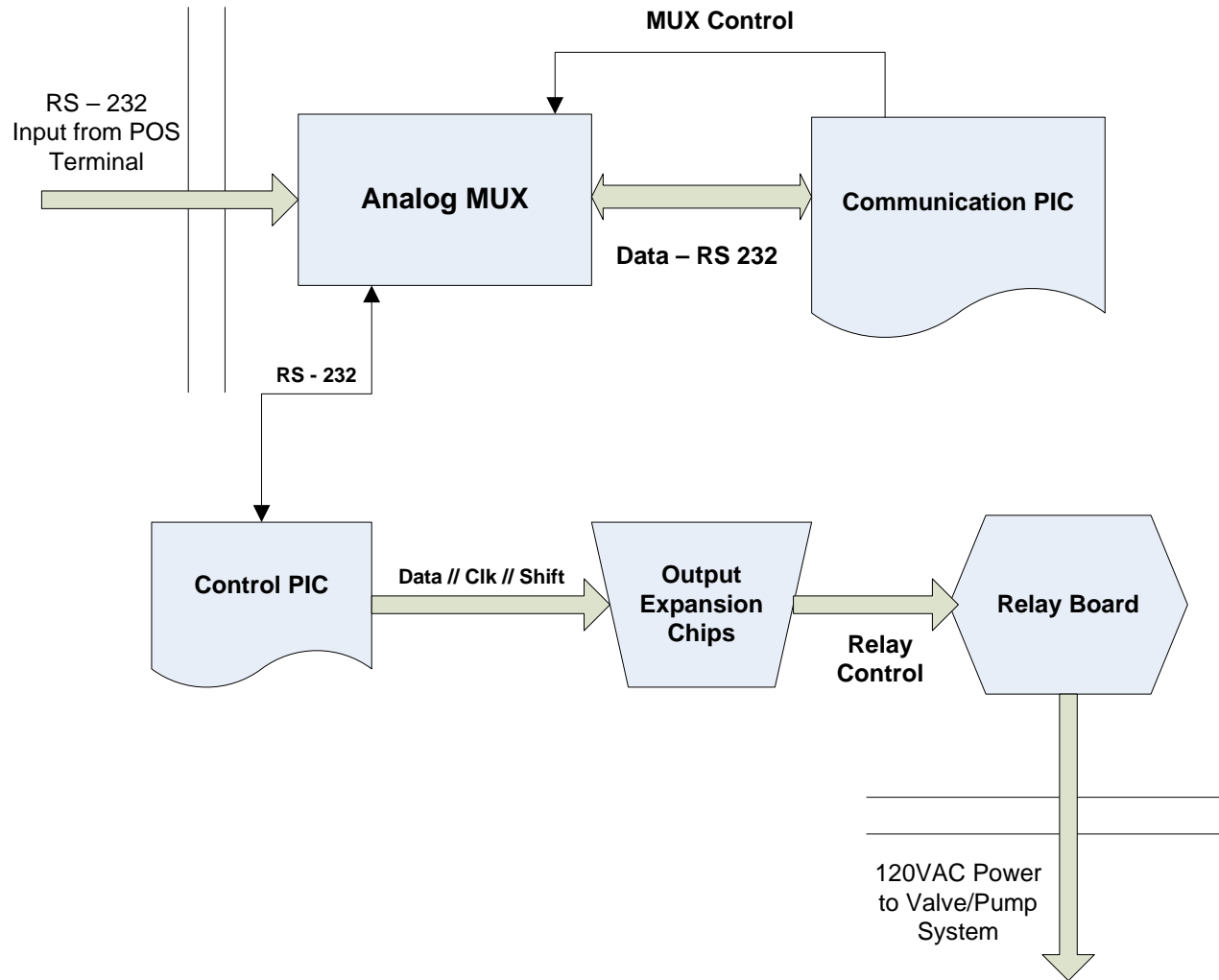
## Automated Bartender

General Block Diagram



# PIC Microcontroller + Relay System

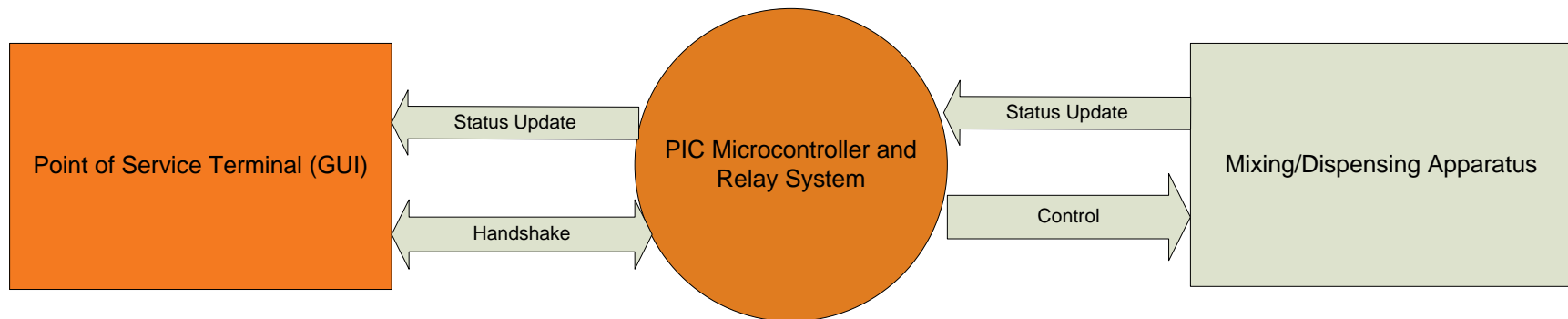
TAB – Design Specifications



# Project Design – Block Conception

## Automated Bartender

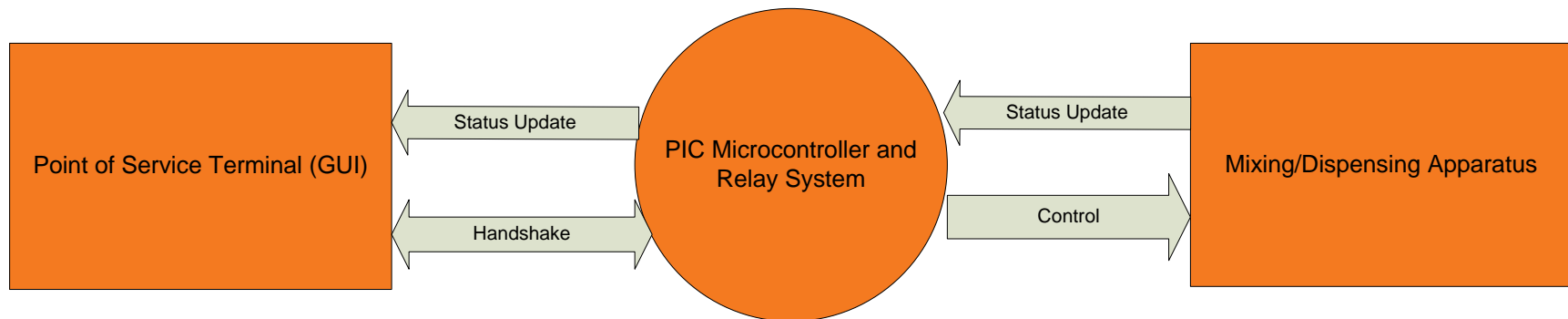
General Block Diagram



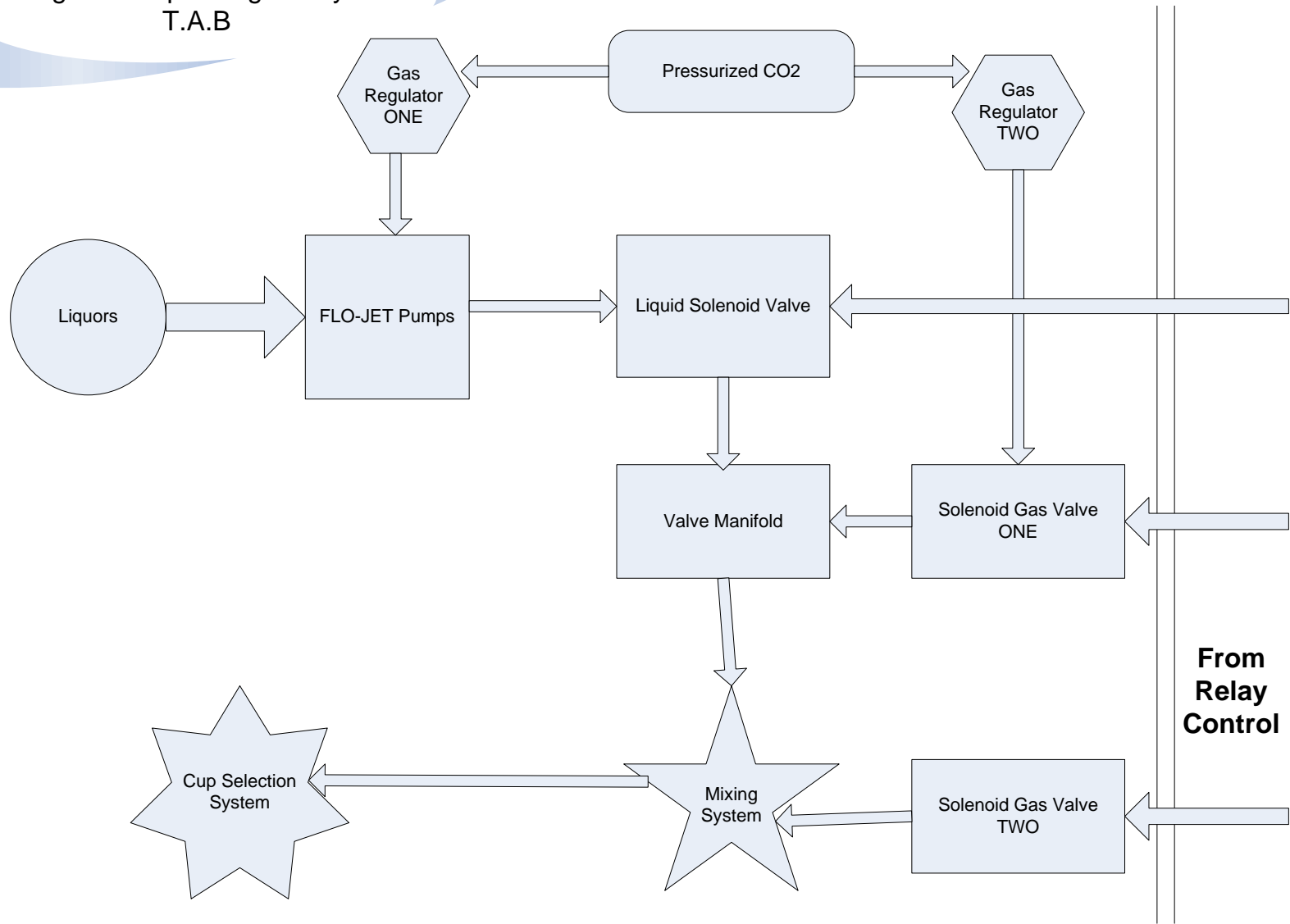
# Project Design – Block Conception

## Automated Bartender

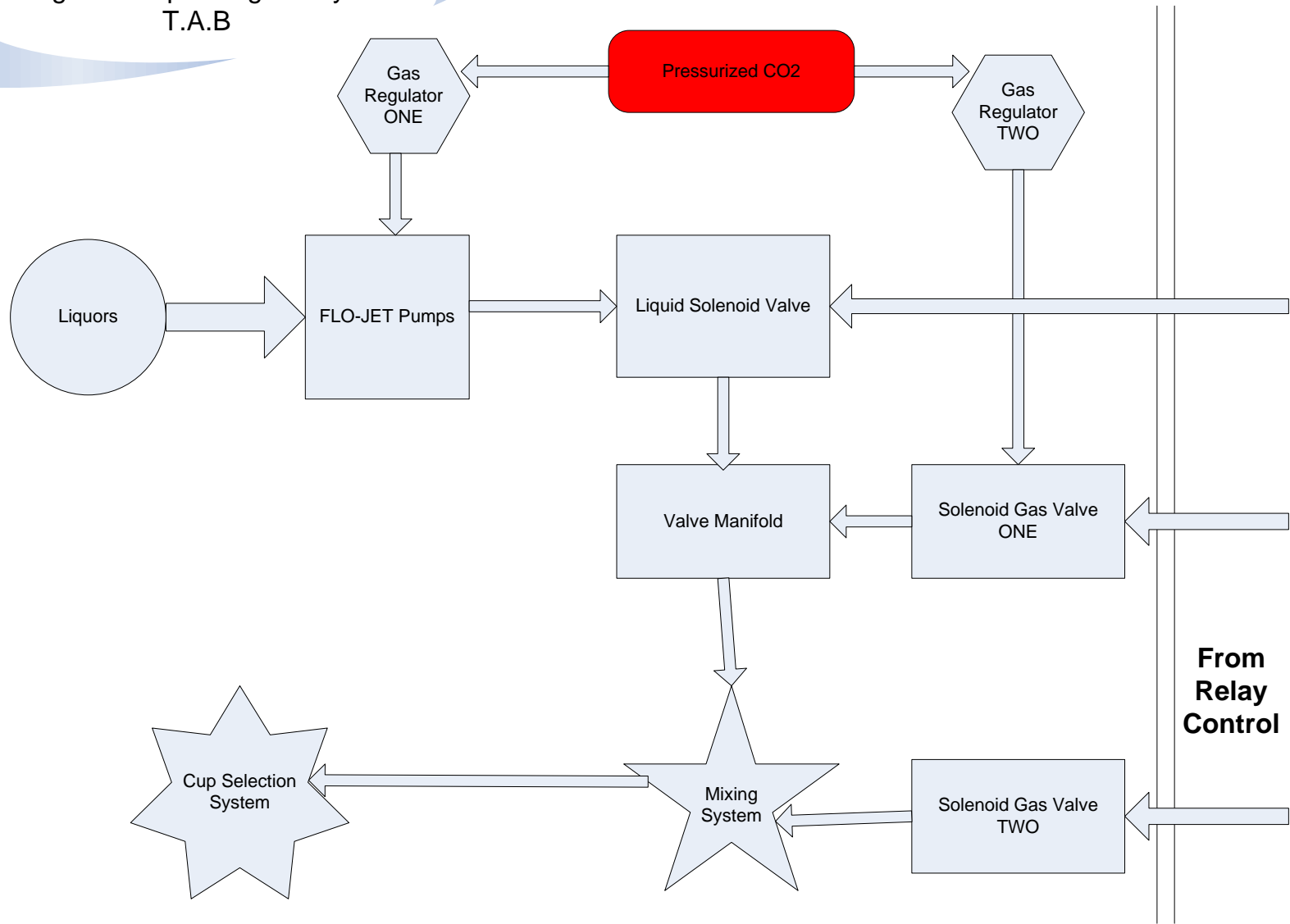
General Block Diagram



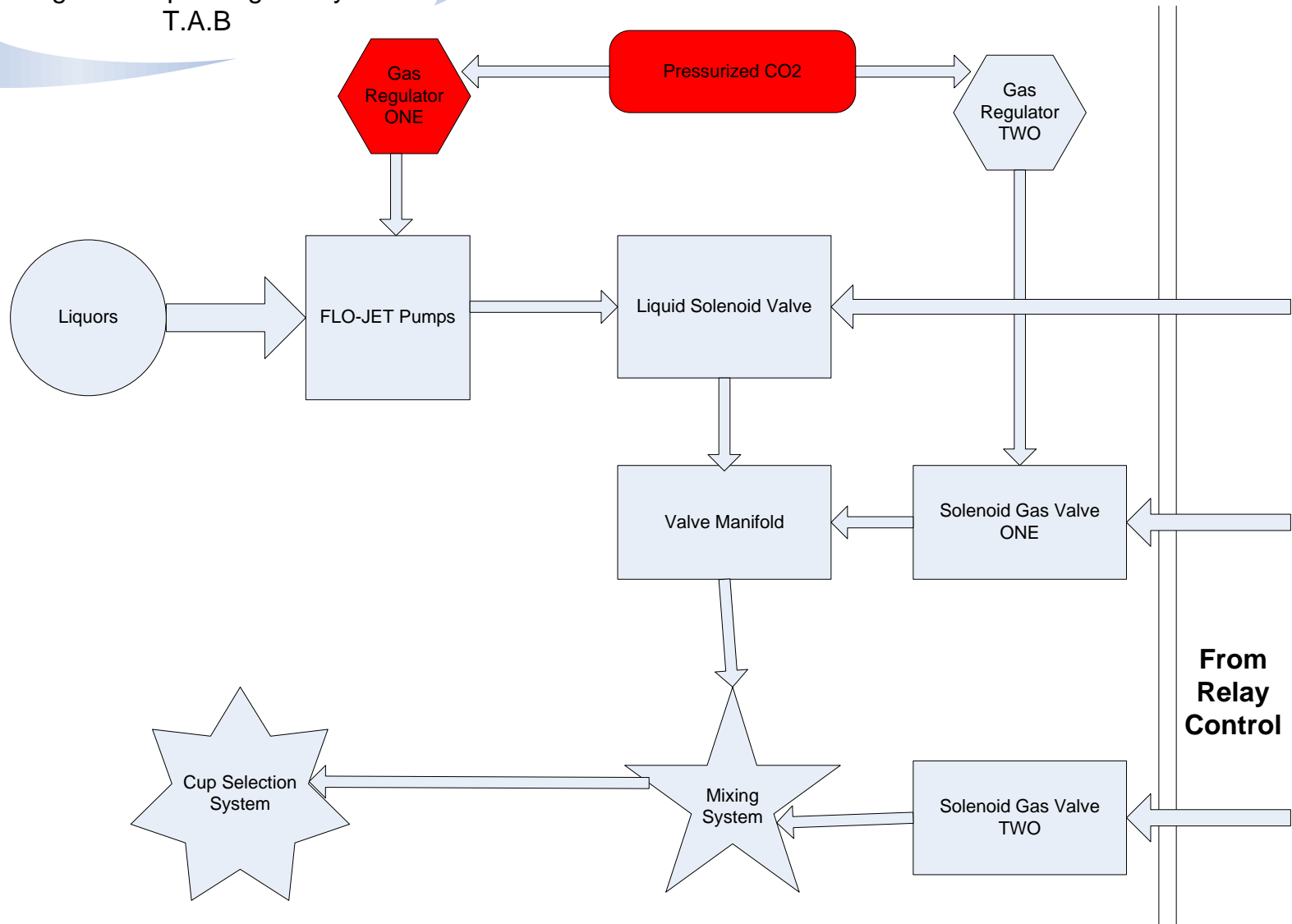
# Mixing and Dispensing Subsystem T.A.B



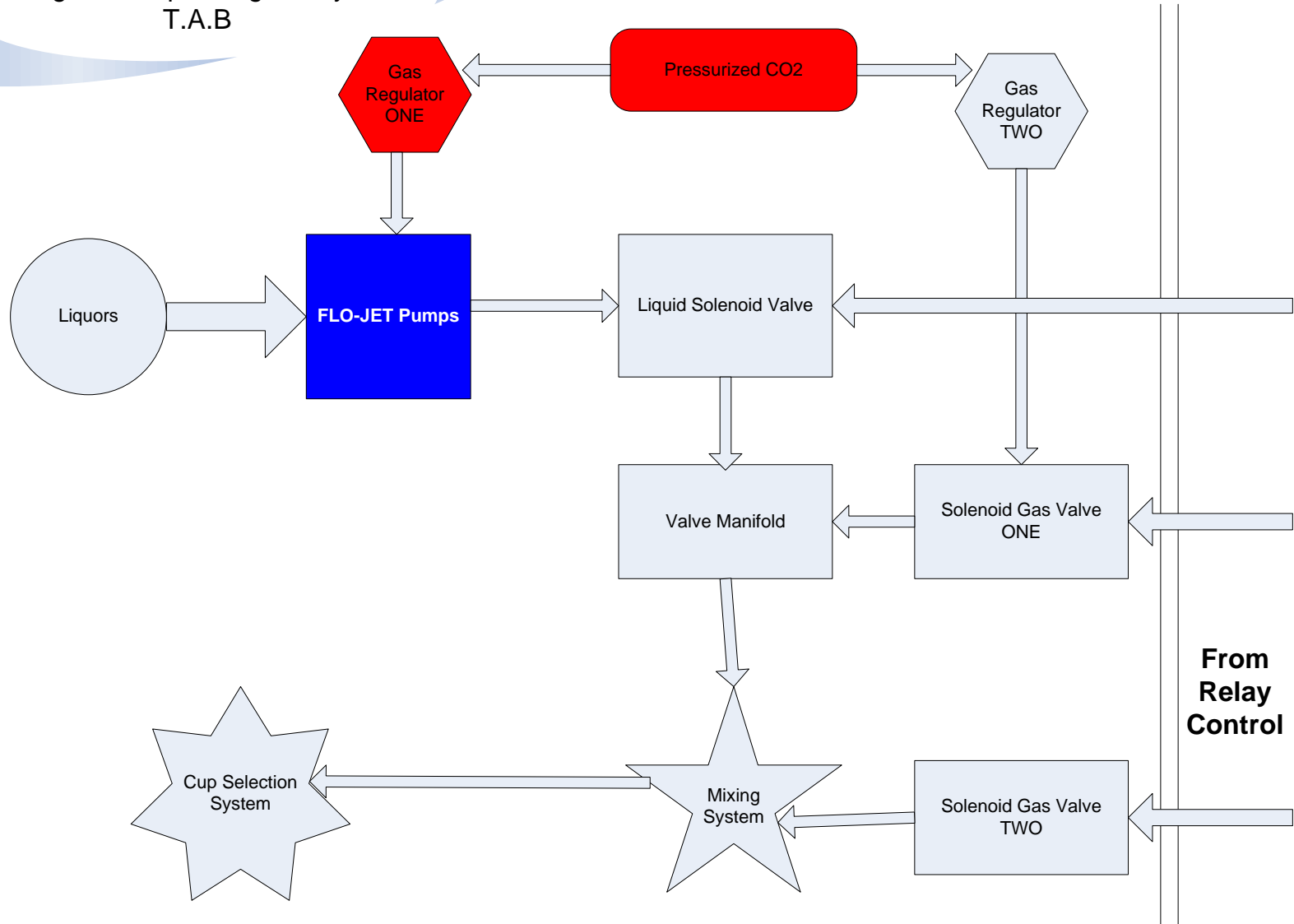
Mixing and Dispensing Subsystem  
T.A.B



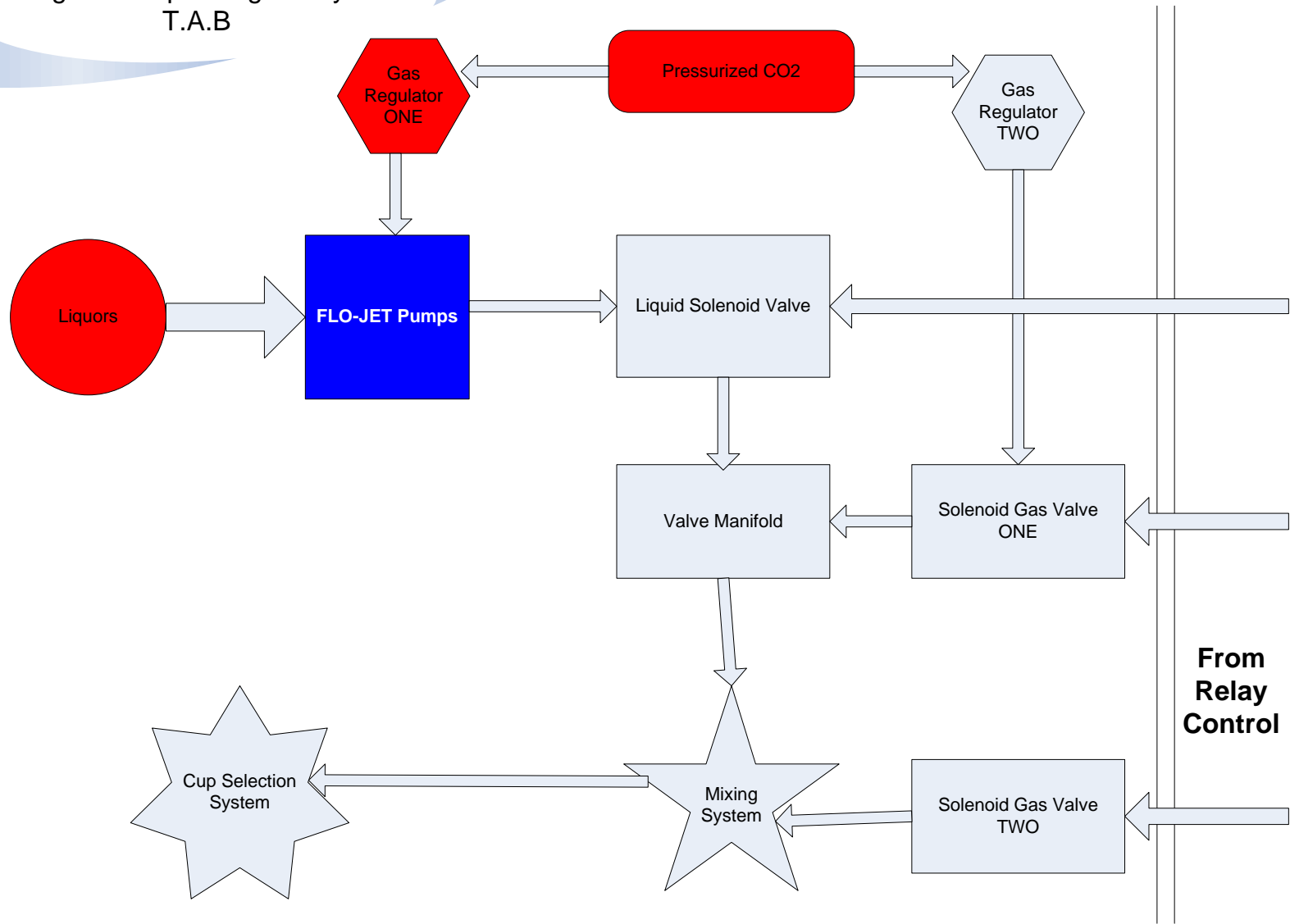
Mixing and Dispensing Subsystem  
T.A.B



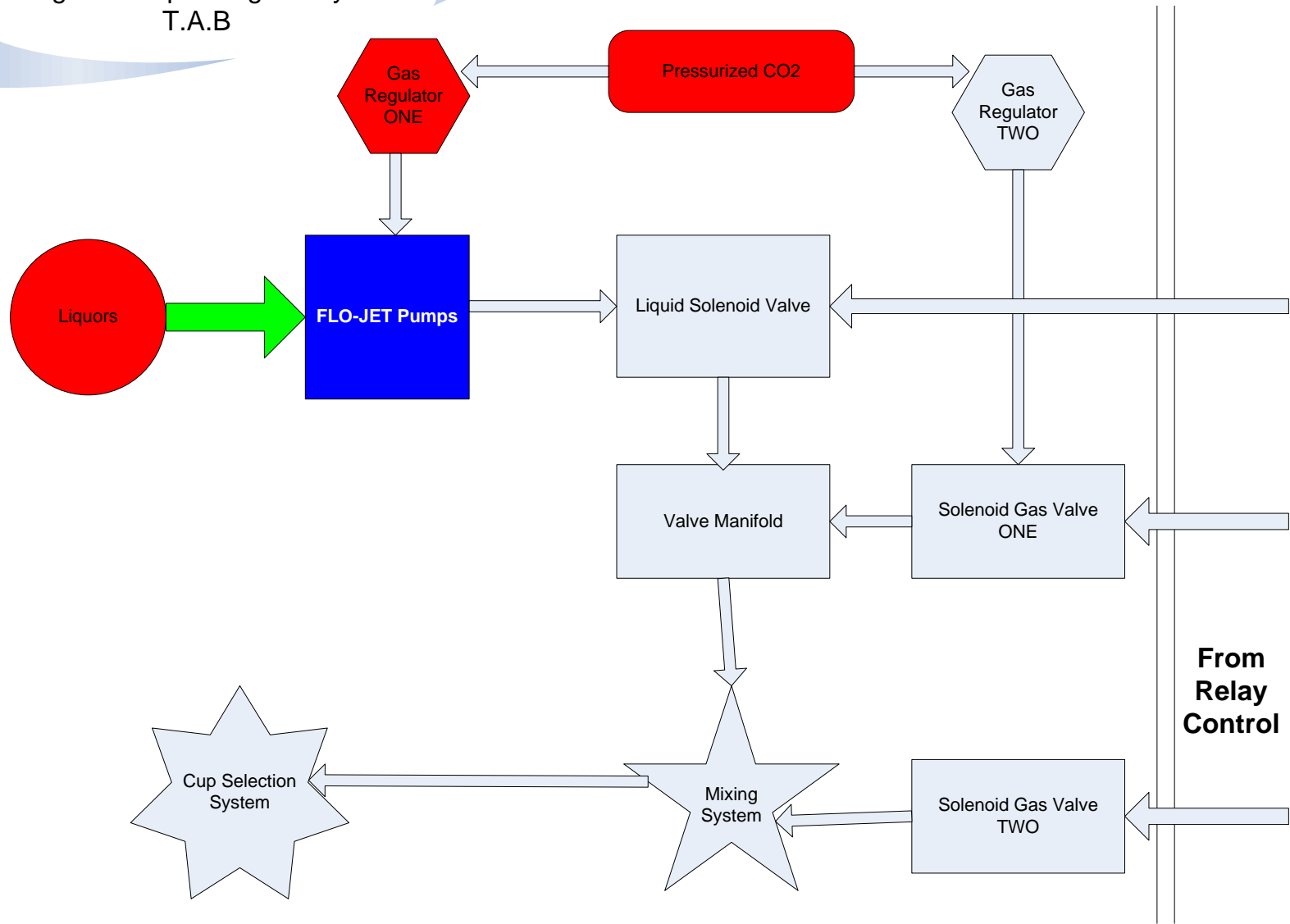
Mixing and Dispensing Subsystem  
T.A.B



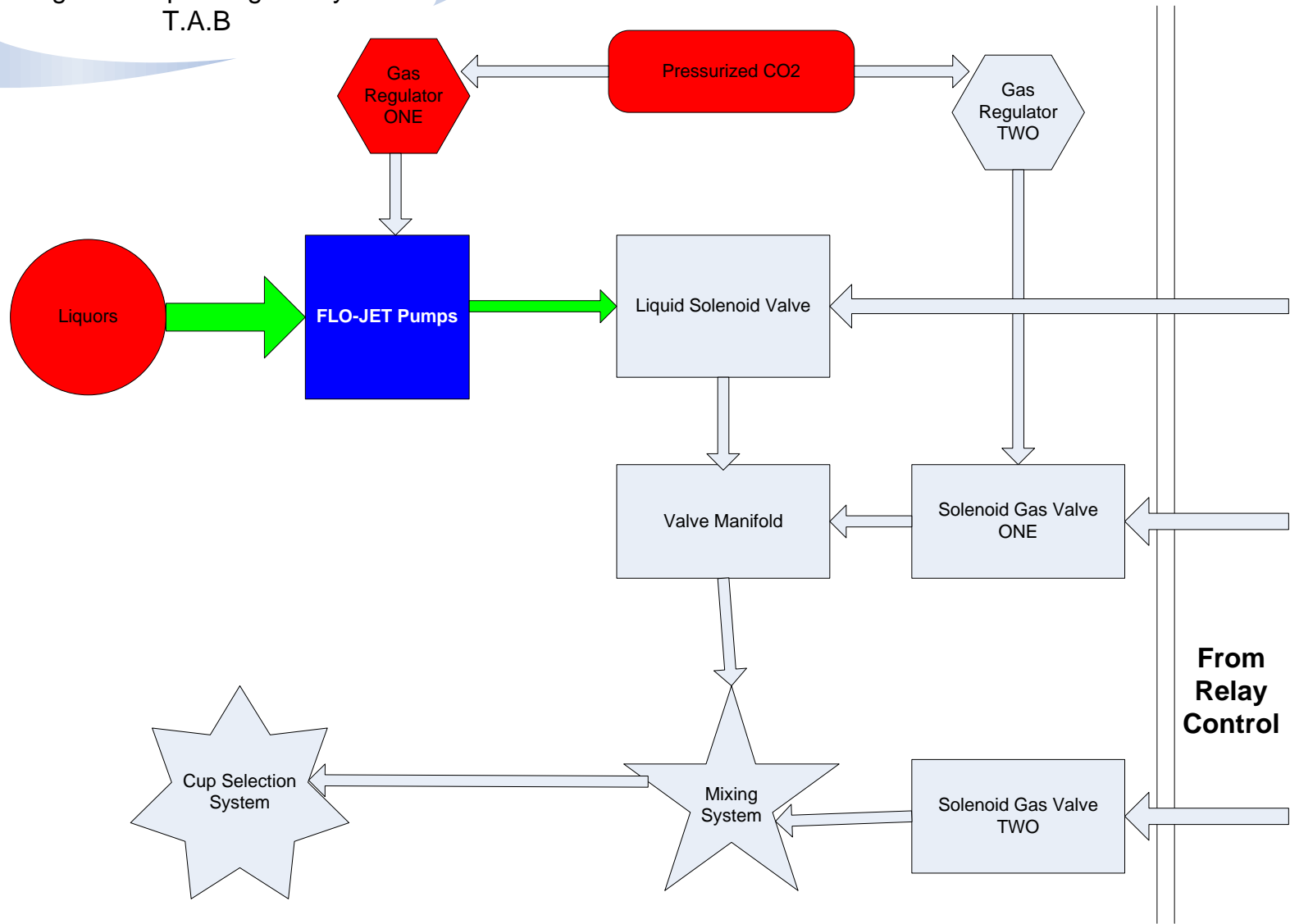
Mixing and Dispensing Subsystem  
T.A.B



Mixing and Dispensing Subsystem  
T.A.B

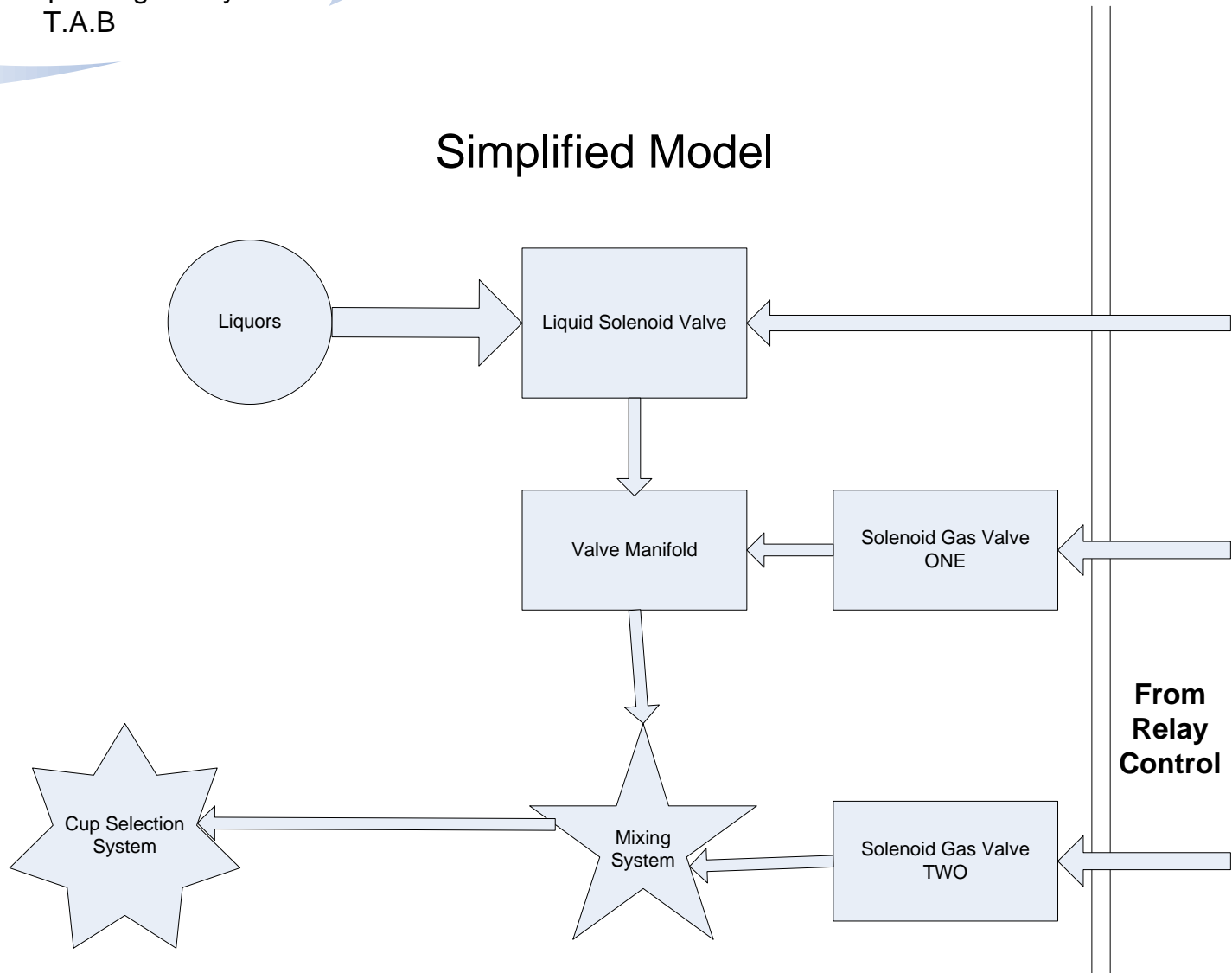


Mixing and Dispensing Subsystem  
T.A.B



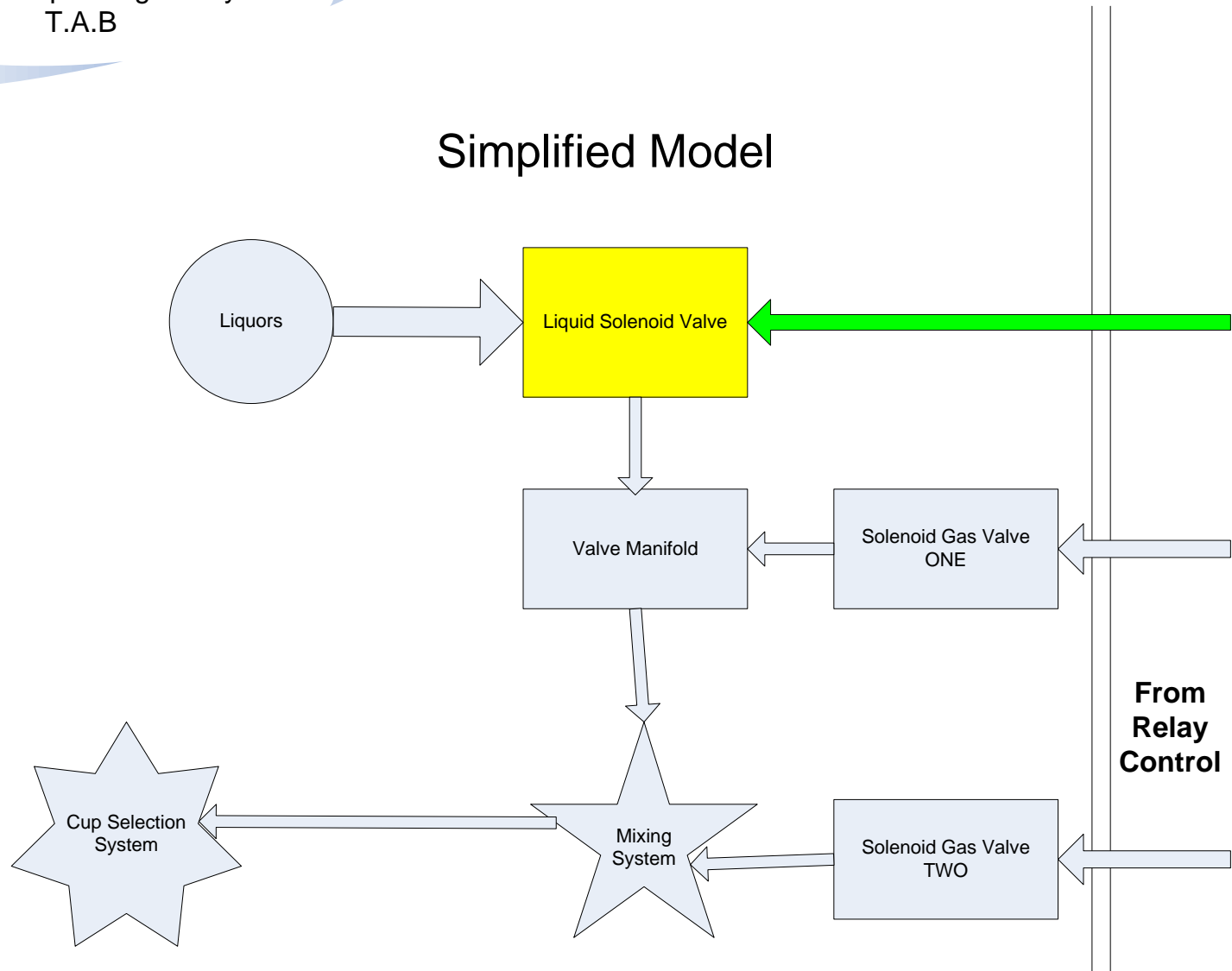
Mixing and Dispensing Subsystem  
T.A.B

Simplified Model



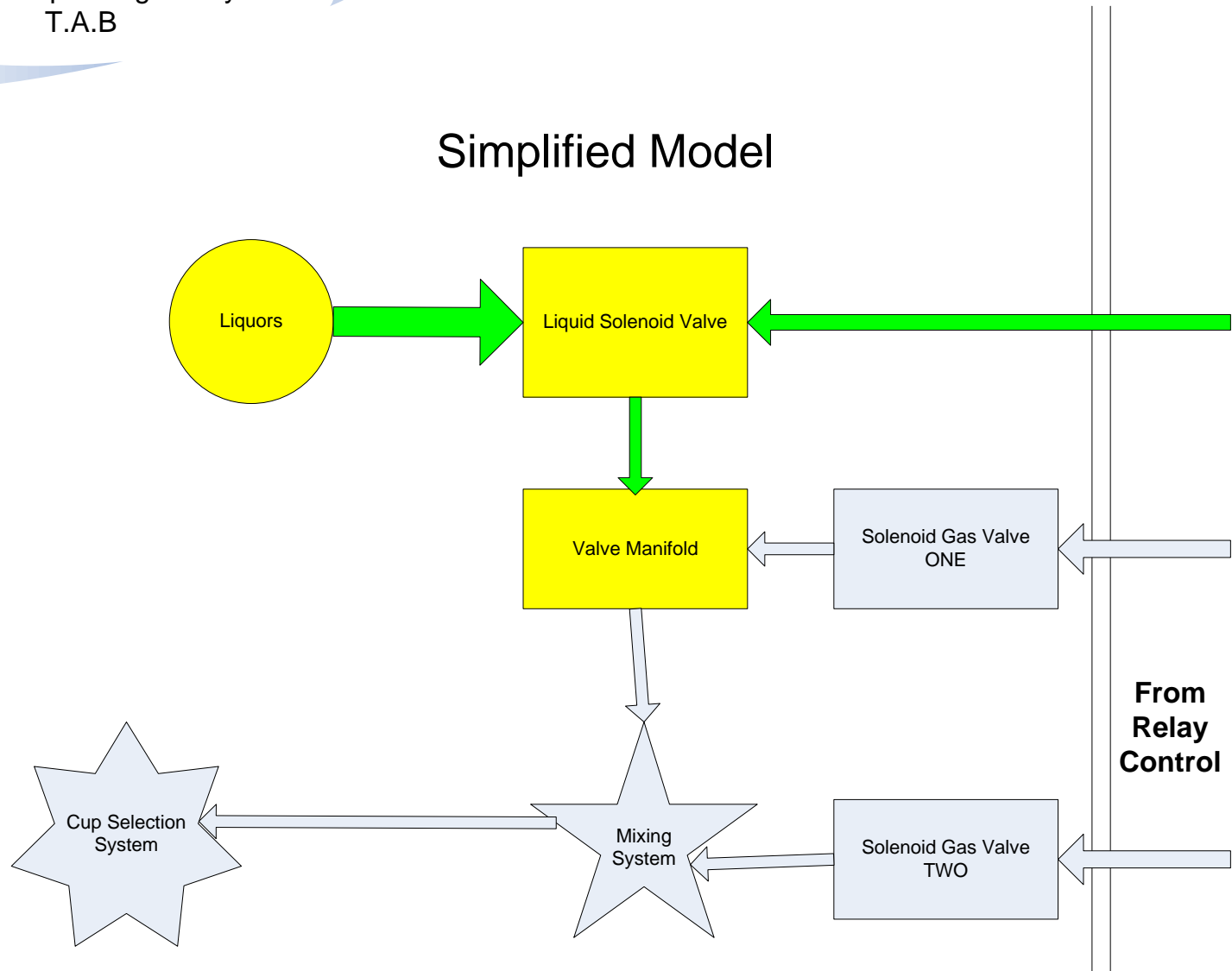
Mixing and Dispensing Subsystem  
T.A.B

Simplified Model



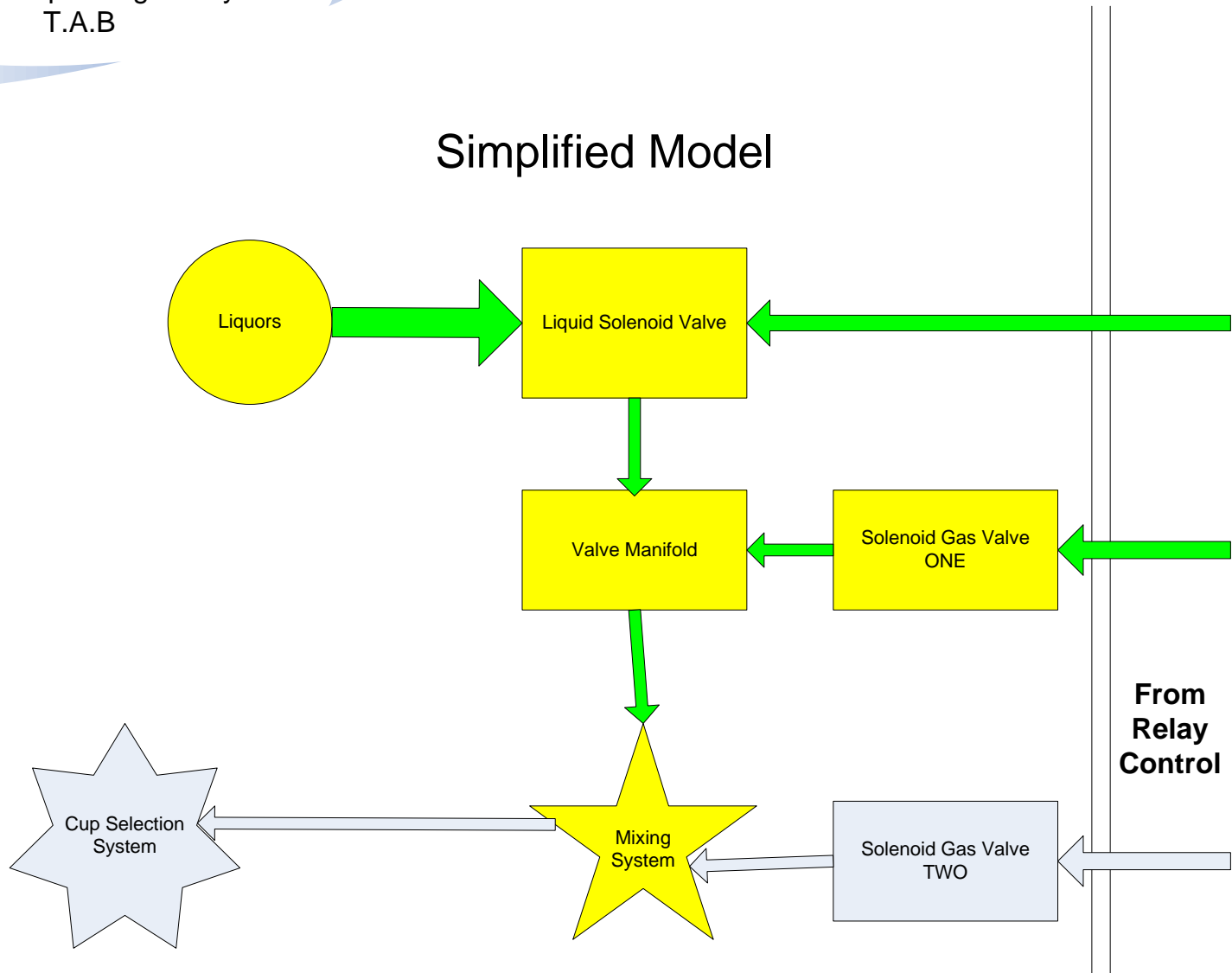
Mixing and Dispensing Subsystem  
T.A.B

Simplified Model



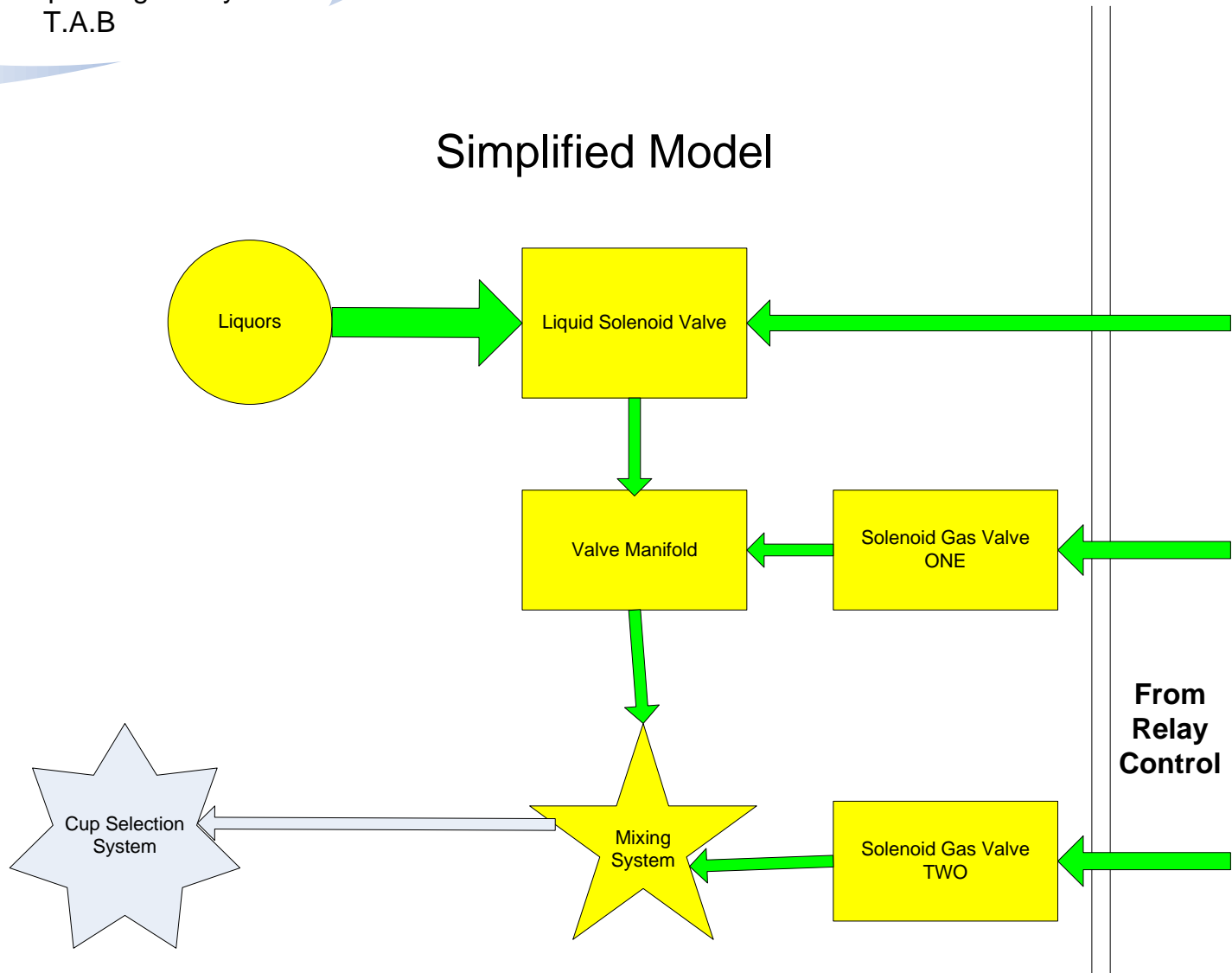
Mixing and Dispensing Subsystem  
T.A.B

Simplified Model



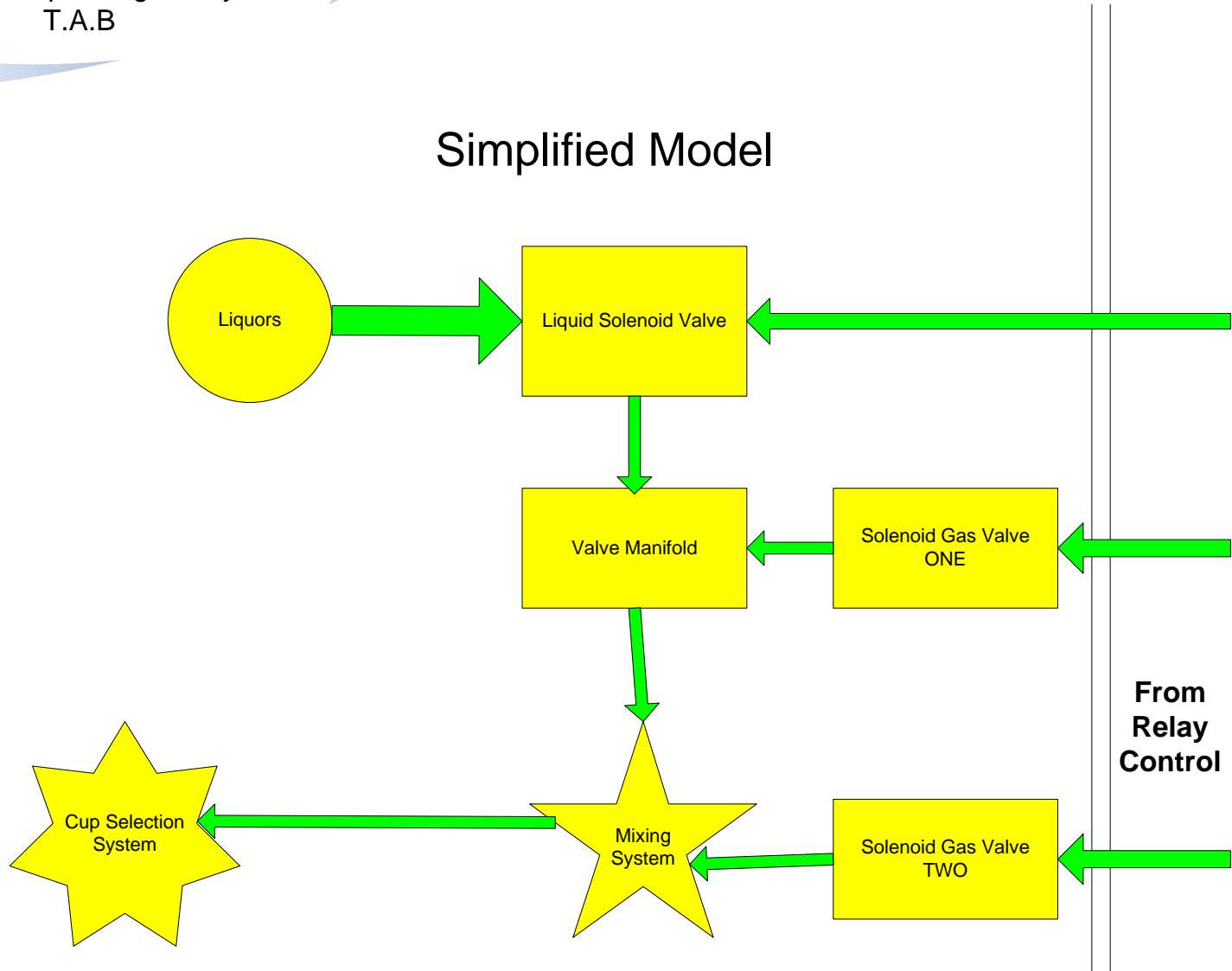
Mixing and Dispensing Subsystem  
T.A.B

Simplified Model



Mixing and Dispensing Subsystem  
T.A.B

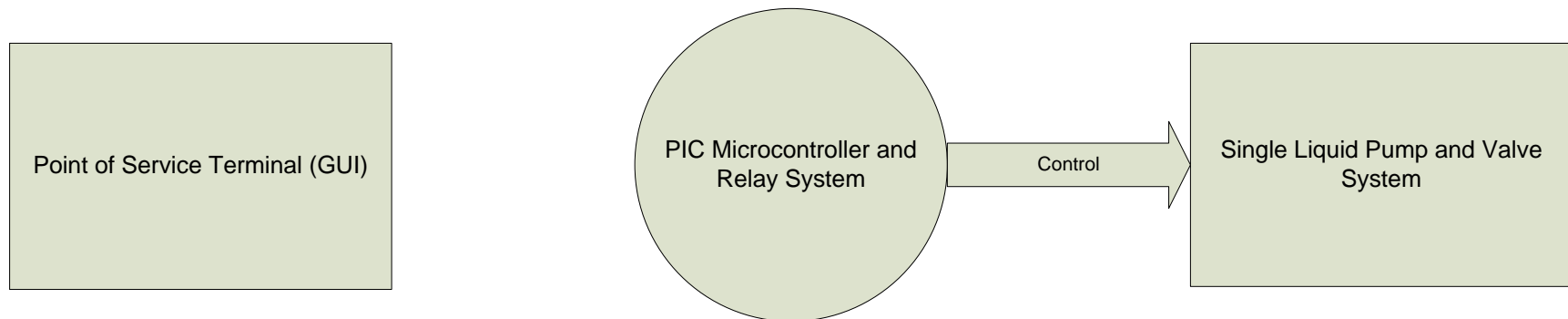
Simplified Model



# Prototype Design – Block Conception

## Automated Bartender

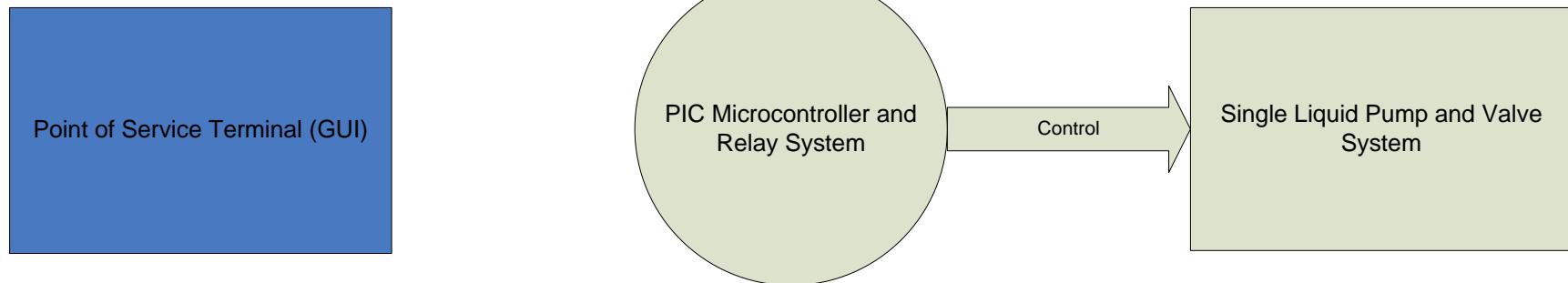
Prototype Block Diagram



# Prototype Design – Block Conception

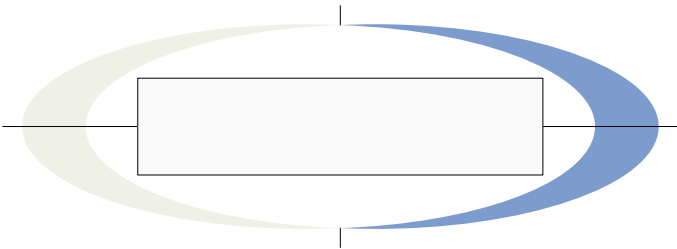
## Automated Bartender

Prototype Block Diagram

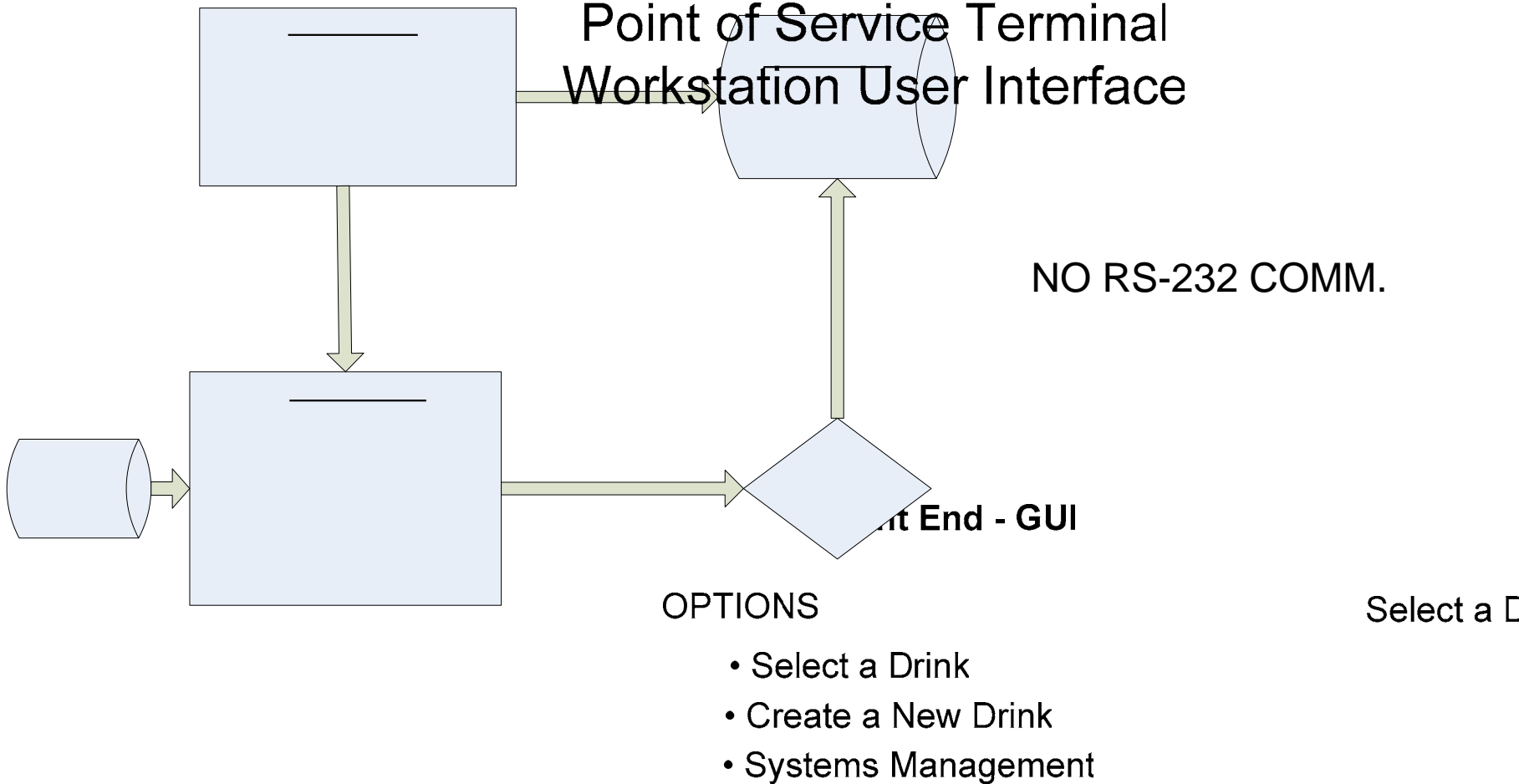


# Prototype Design – POS Terminal

System - Separate



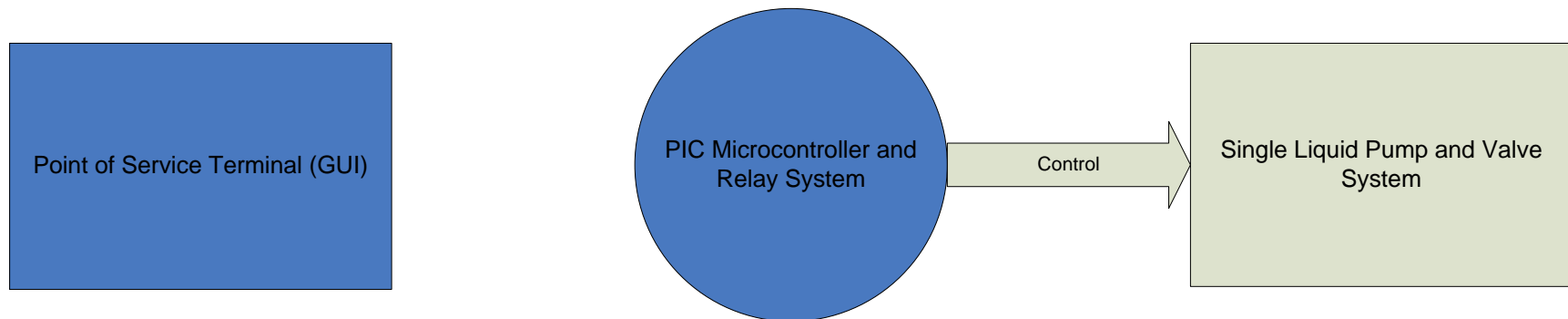
## Point of Service Terminal Workstation User Interface



# Prototype Design – Block Conception

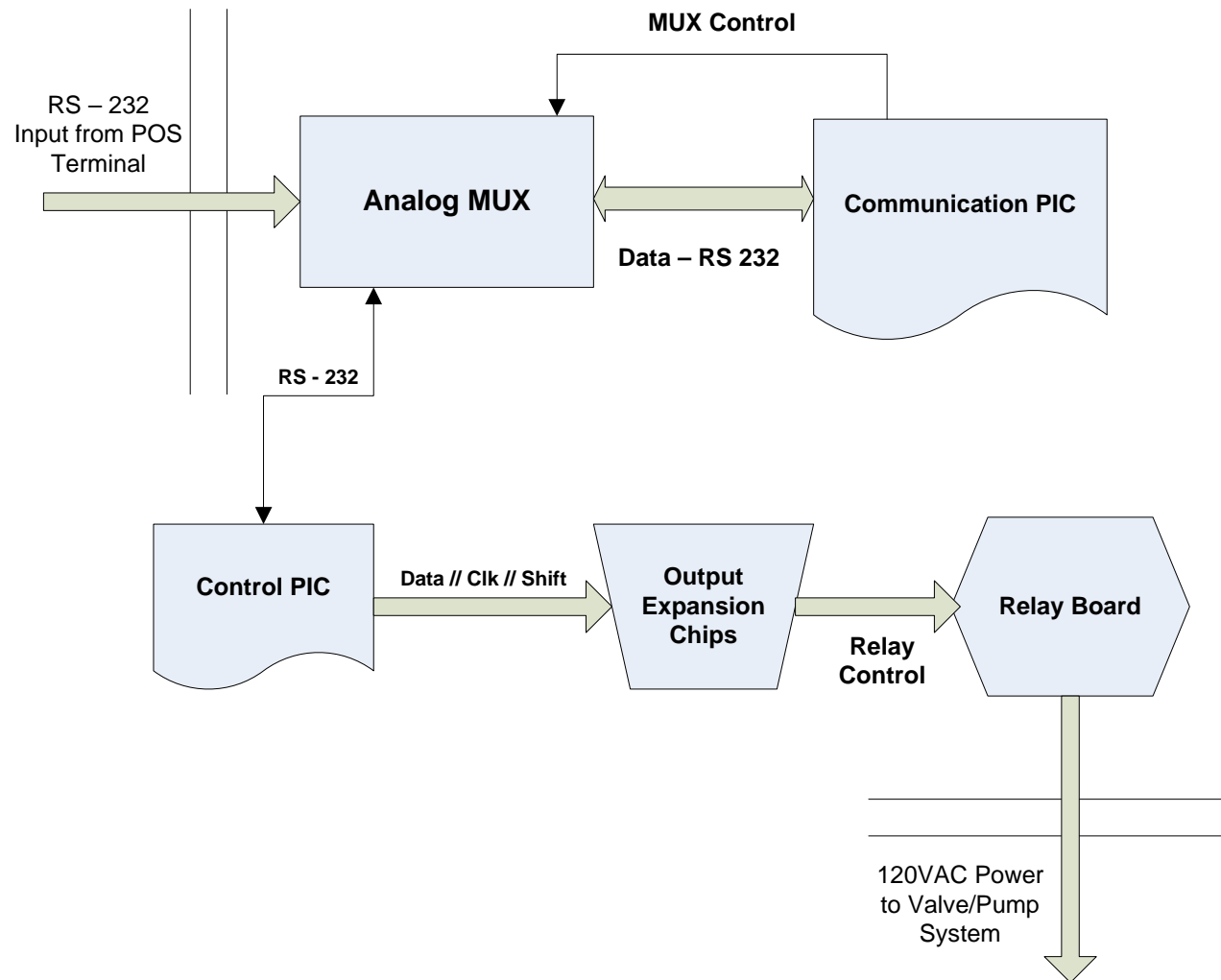
## Automated Bartender

Prototype Block Diagram



# PIC Microcontroller + Relay System

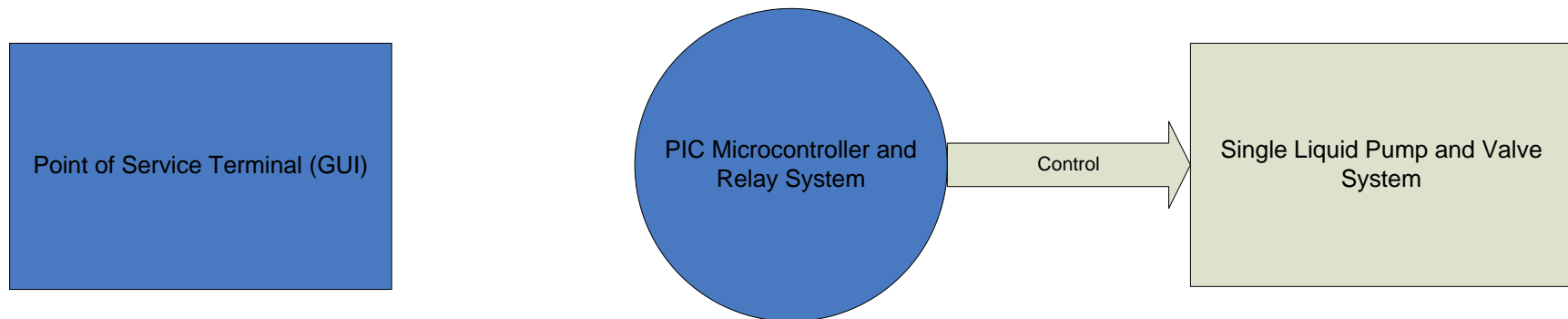
TAB – Design Specifications



# Prototype Design – Block Conception

## Automated Bartender

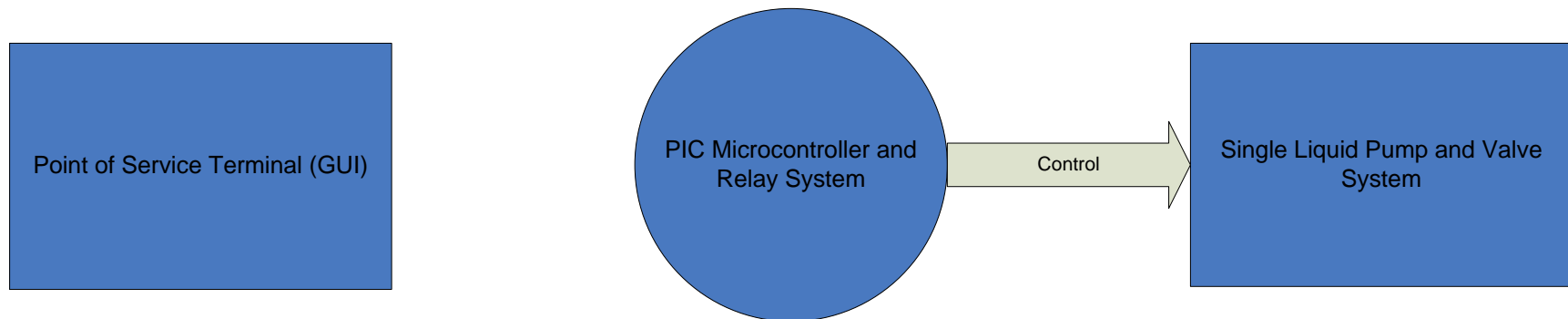
Prototype Block Diagram



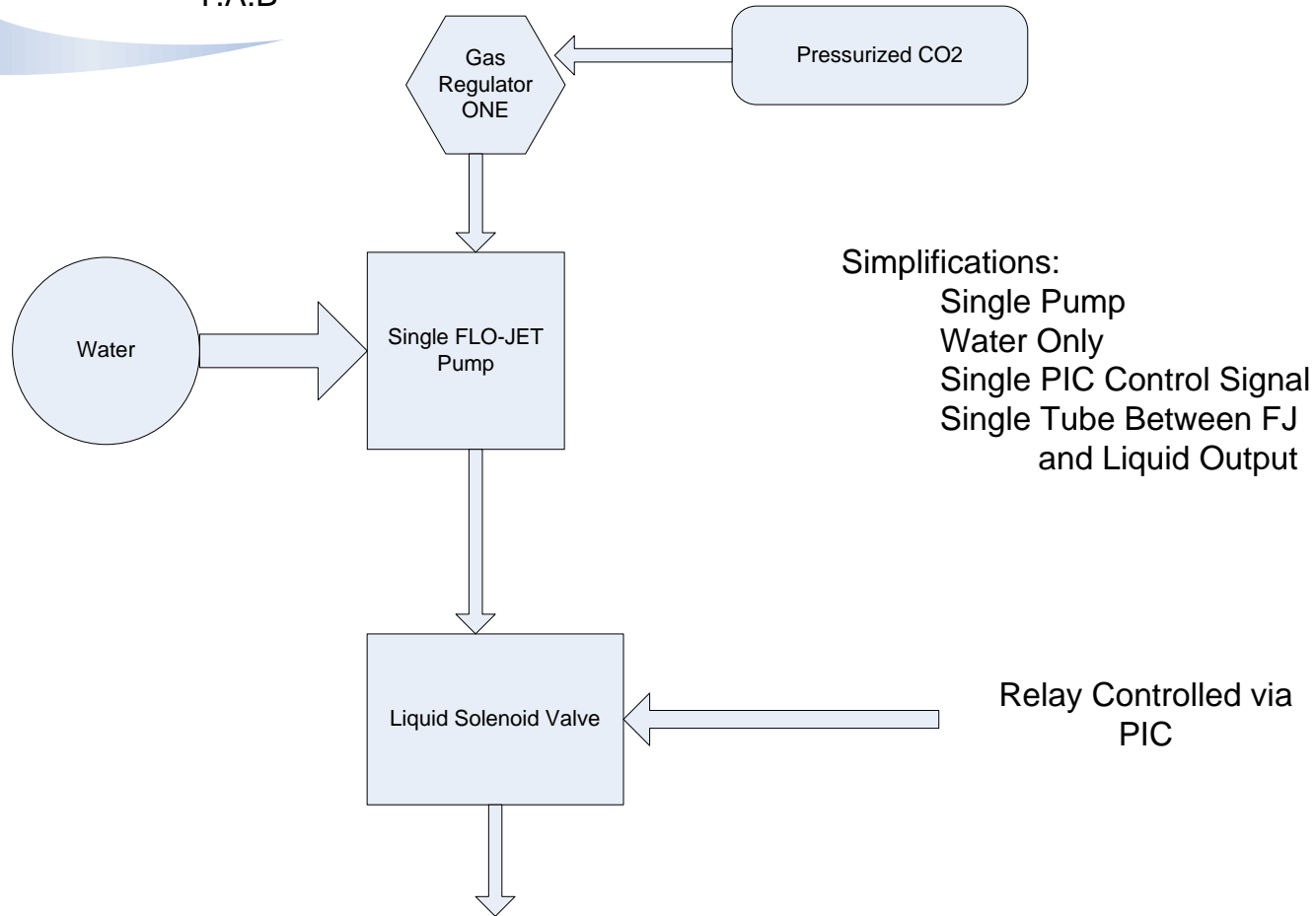
# Prototype Design - Block Conception

## Automated Bartender

Prototype Block Diagram



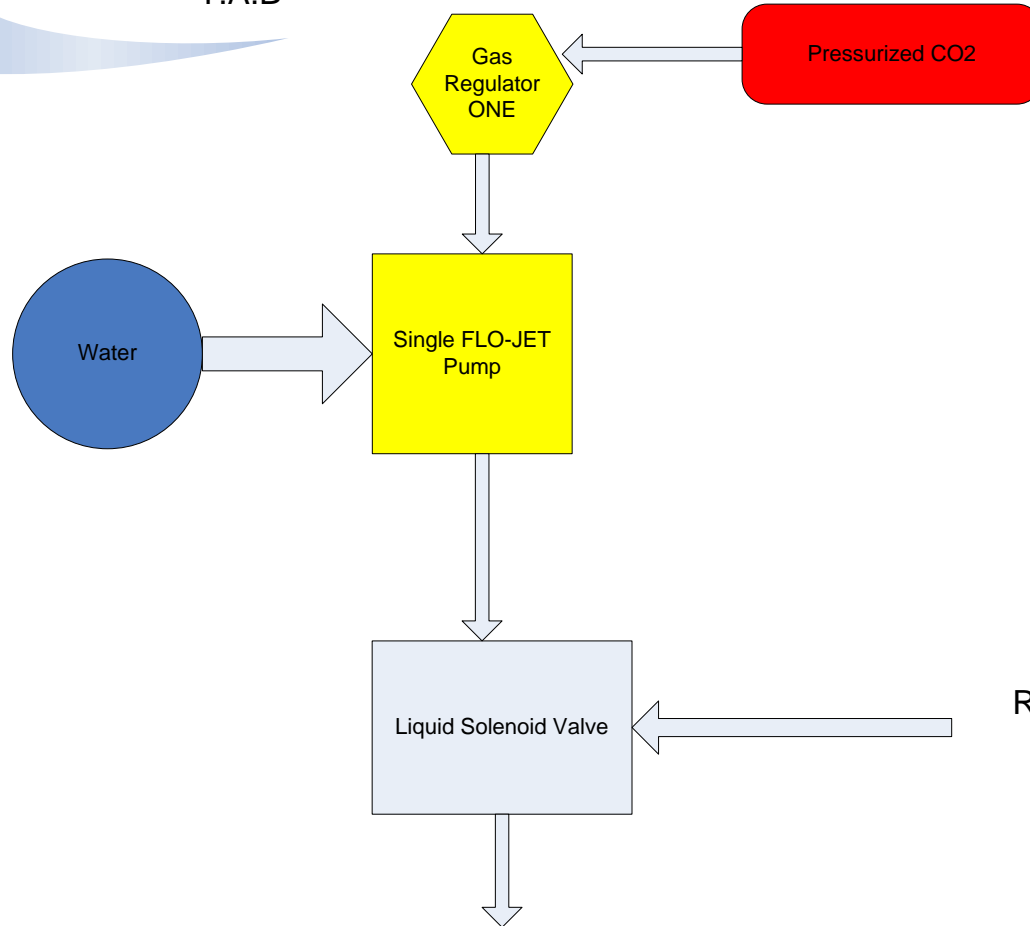
Mixing and Dispensing Subsystem  
T.A.B



Simplifications:  
Single Pump  
Water Only  
Single PIC Control Signal  
Single Tube Between FJ  
and Liquid Output

Relay Controlled via  
PIC

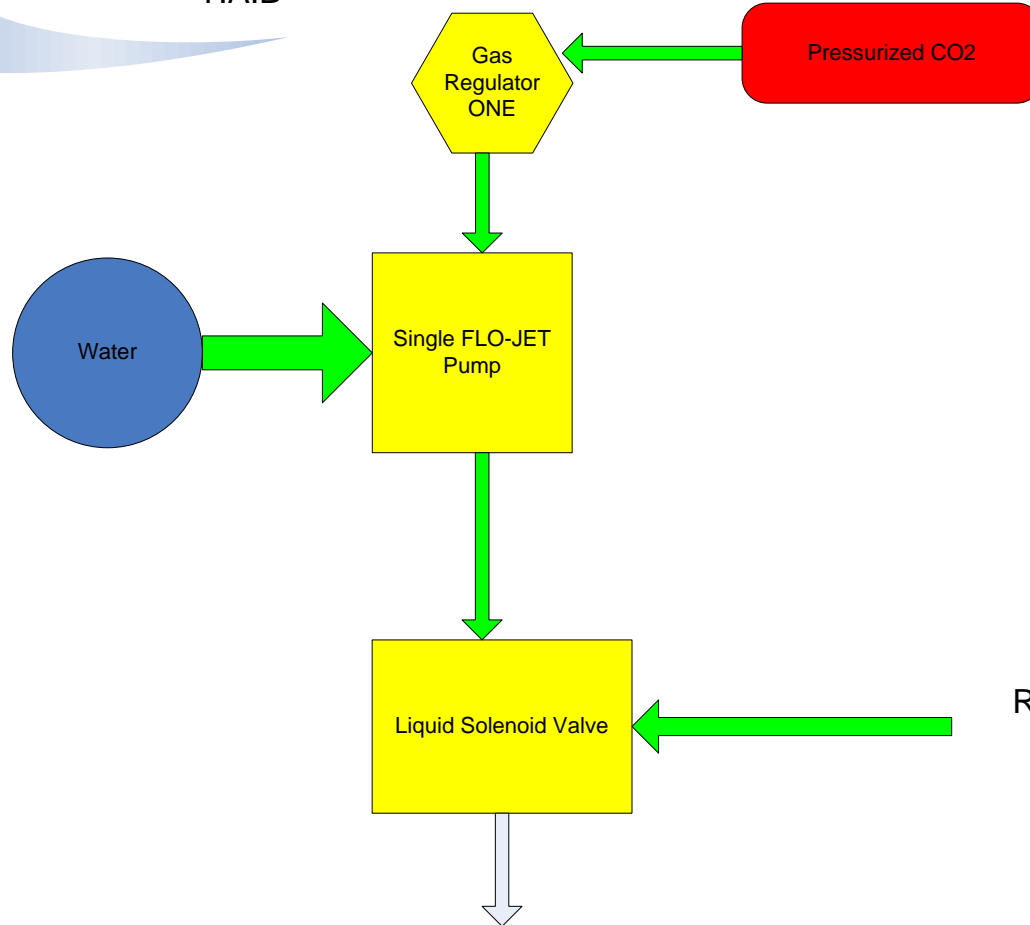
Mixing and Dispensing Subsystem  
T.A.B



Simplifications:  
Single Pump  
Water Only  
Single PIC Control Signal  
Single Tube Between FJ  
and Liquid Output

Relay Controlled via  
PIC

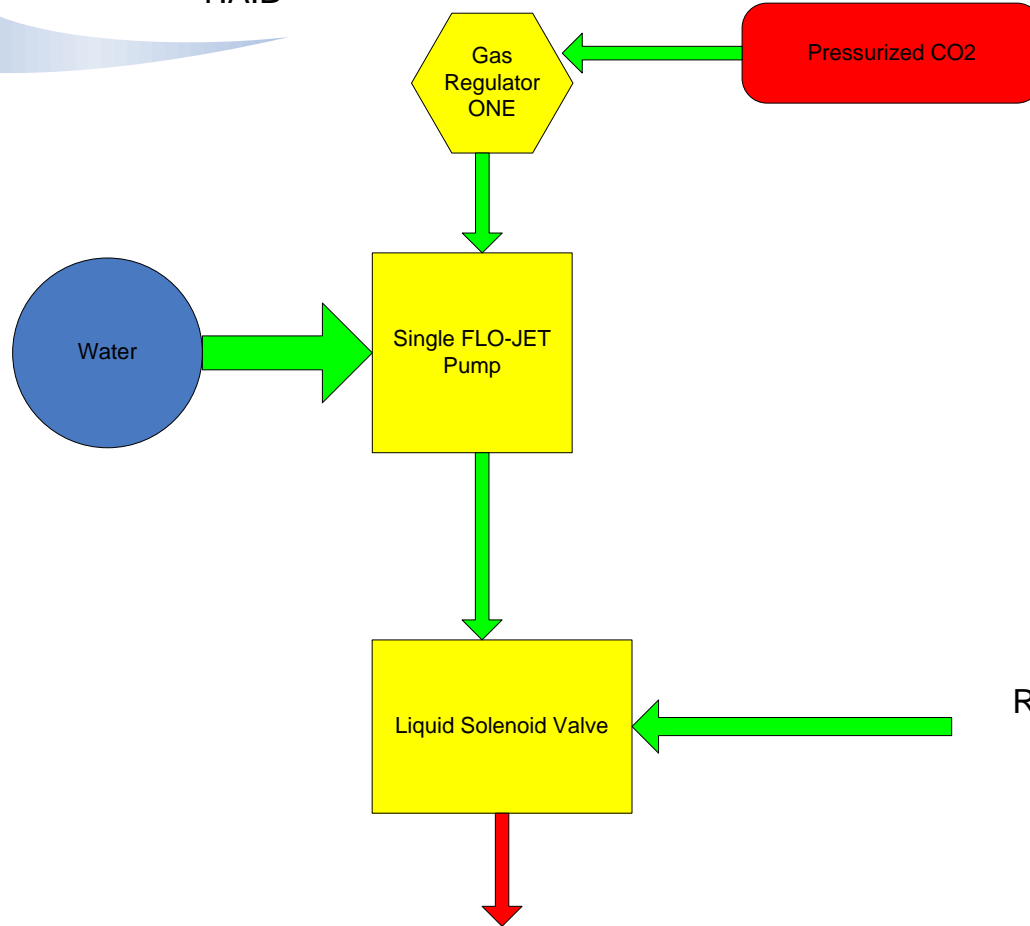
Mixing and Dispensing Subsystem  
T.A.B



Simplifications:  
Single Pump  
Water Only  
Single PIC Control Signal  
Single Tube Between FJ  
and Liquid Output

Relay Controlled via  
PIC

Mixing and Dispensing Subsystem  
T.A.B



Simplifications:  
Single Pump  
Water Only  
Single PIC Control Signal  
Single Tube Between FJ  
and Liquid Output

Relay Controlled via  
PIC