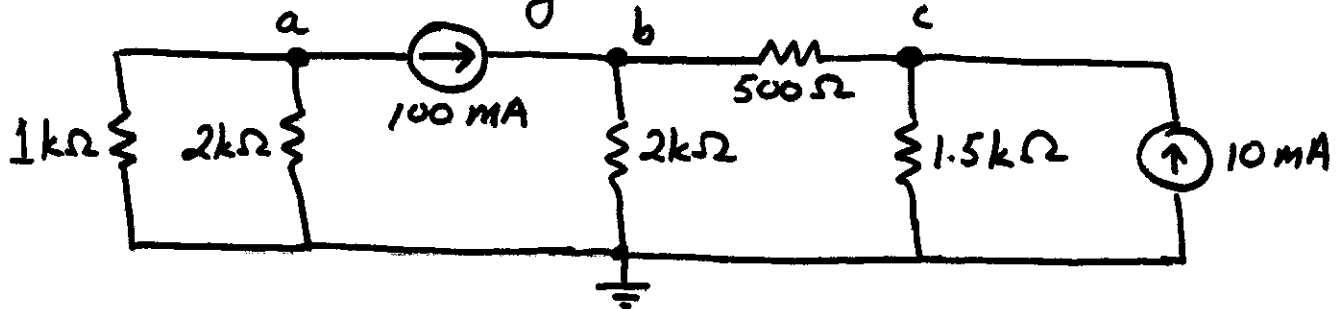


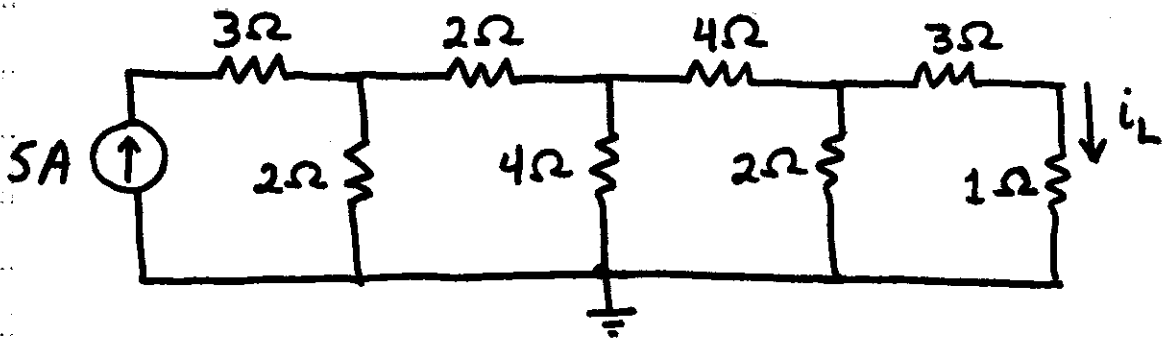
P3.6. For the following circuit :



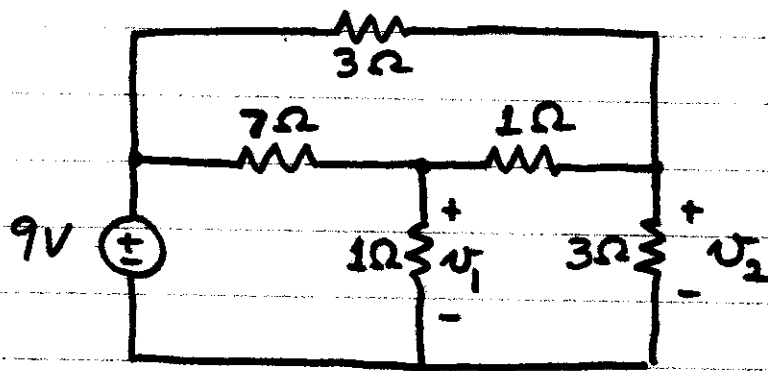
(a) Find V_a , V_b , and V_c .

(b) Find the power dissipated by each resistor and supplied by each source.

P3.7. Find the value of i_L in the following circuit :



P3.8. For the circuit shown below:



(a) Find v_1 and v_2 .

(b) Find the power supplied by the voltage source.
