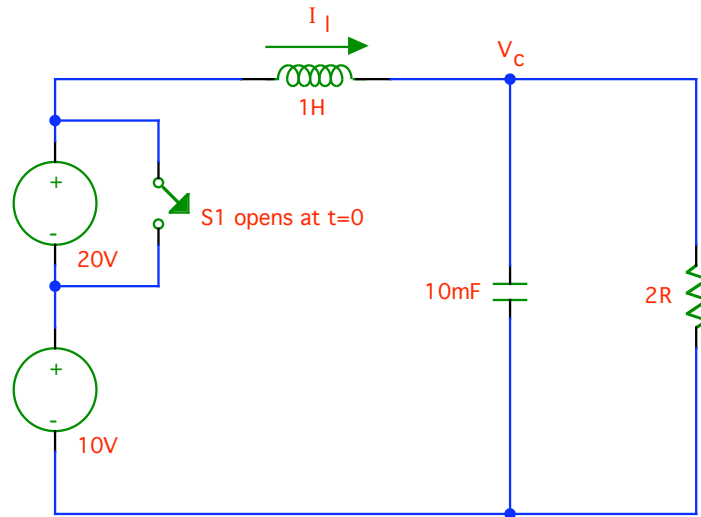


ECE 211 Fall 2003

Homework Eight

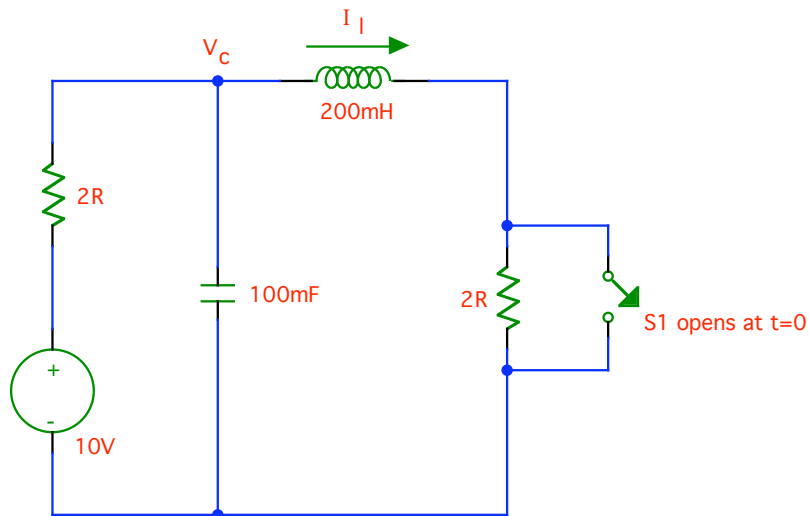
(Due 12/3/03 at the beginning of discussion.)

Problem One:



The above figure shows a circuit where s1 has been closed for a long time (the circuit is DC) before opening at $t=0$. Calculate and graph $I_1(t)$ and $V_c(t)$ for $t > 0$.

Problem Two:



The above figure shows a circuit where s1 has been closed for a long time (the circuit is DC) before opening at $t=0$. Calculate and graph $I_1(t)$ and $V_c(t)$ for $t > 0$.