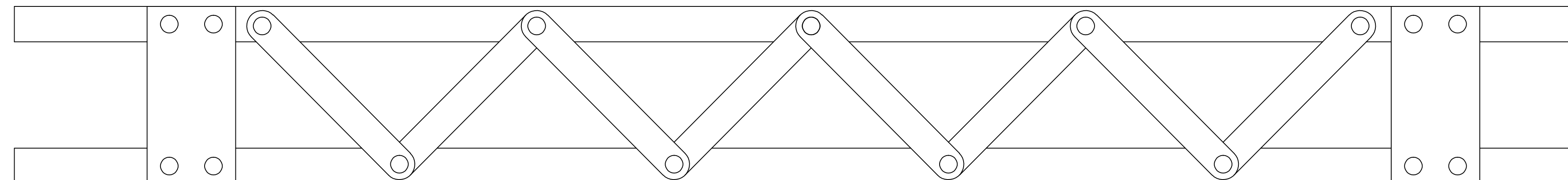


ELEMENT LATTICE DETAIL

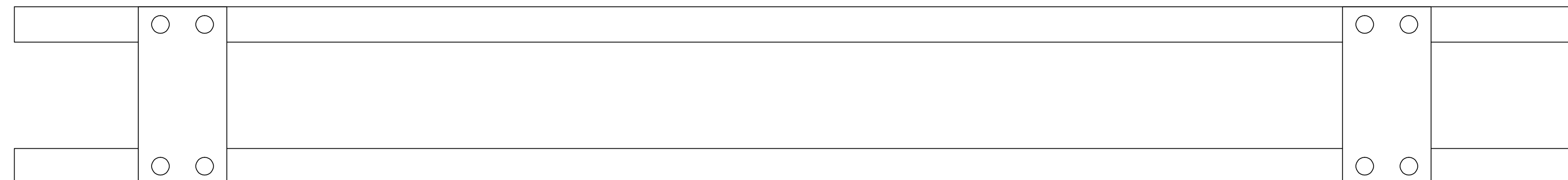
SCALE 1" = 5"

A



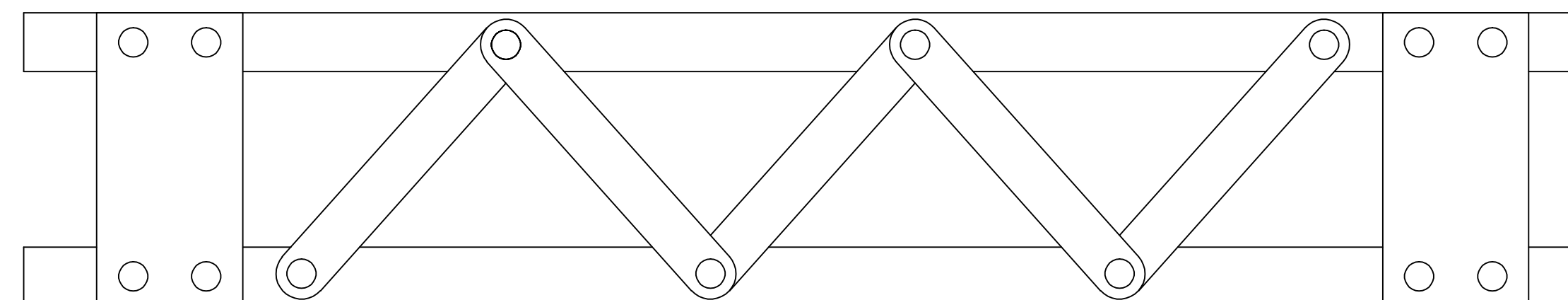
A: Elements L1U2 and L2U2.

B



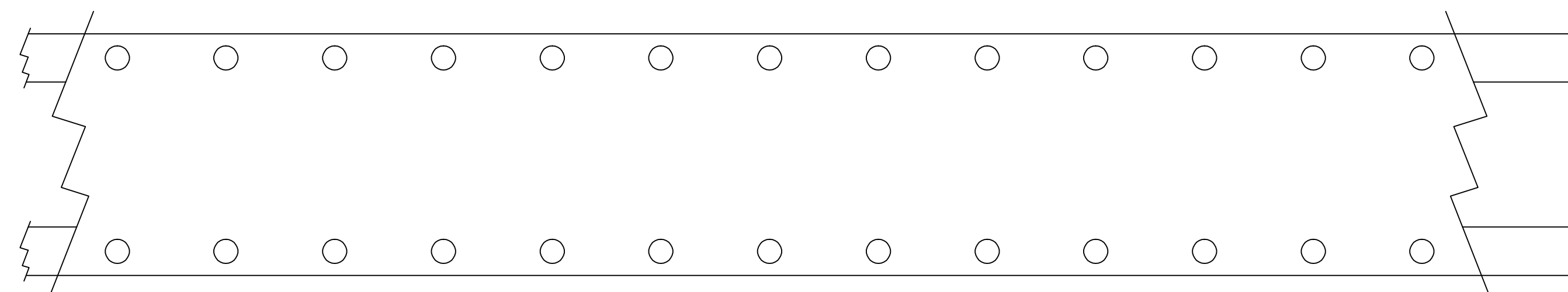
B: Elements L1U0 and L2U4.

C



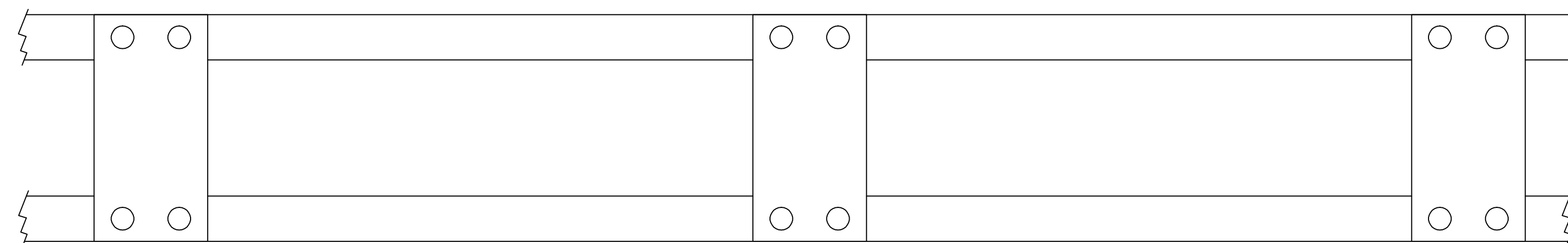
C: Elements L1U1 and L2U3.

D



D: Elements L0U0, U0U1, U1U2, U2U3, U3U4 and U4L3.

E



E: Elements L0L1, L1L2 and L2L3.

Note: All lace members and plates shown are 0.25 inches thick. All rivets are 1.00 inch diameter.

UMASS Amherst	Southern Vermont 1906 Bridge - 2 of 2
	Dr. Arwade & Dr. Lutenegger
	University of Massachusetts Amherst
	17 July 2008
	Drawing by Ryan Mones