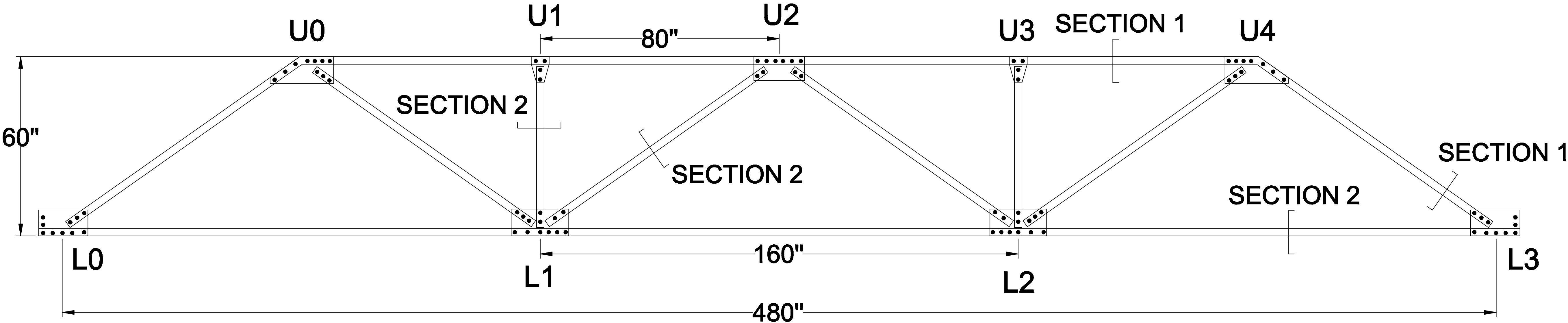


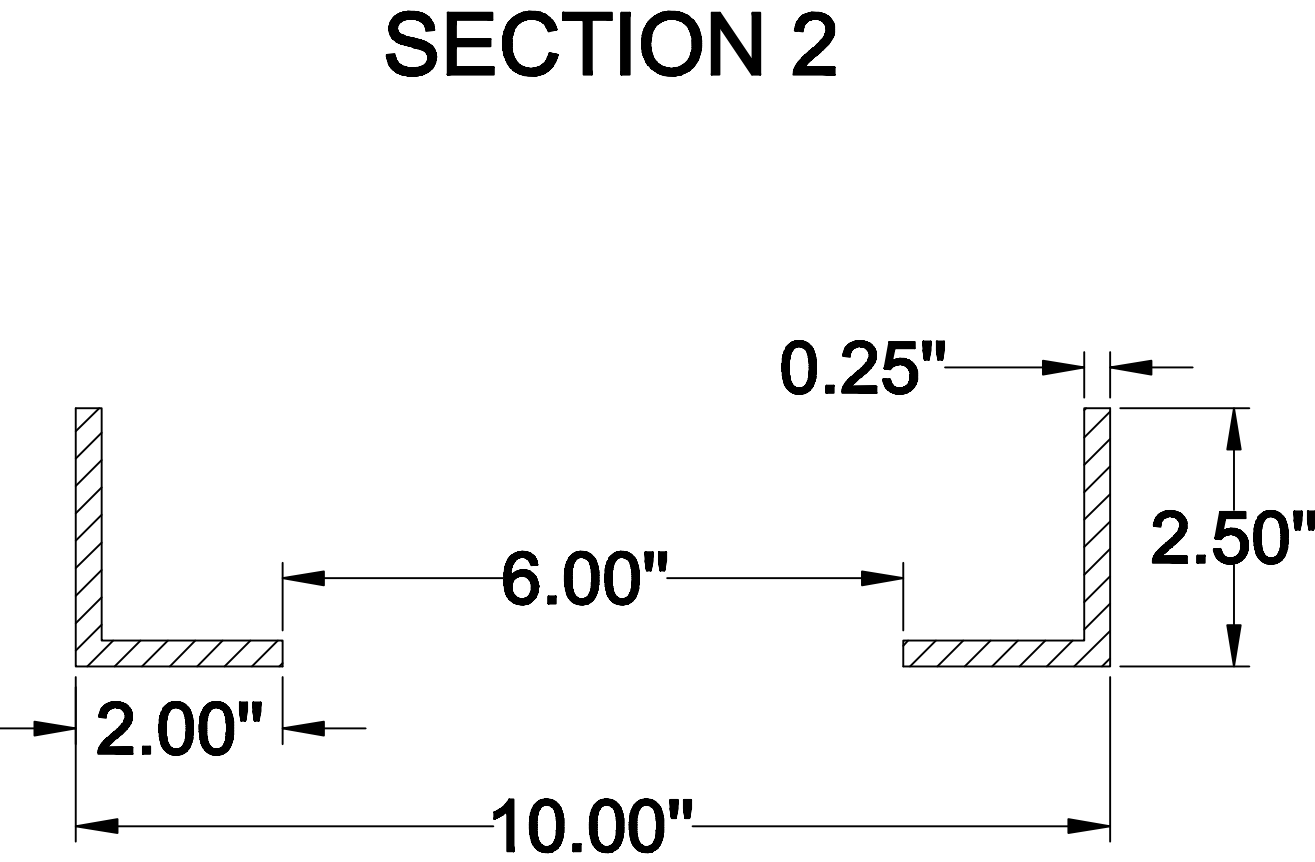
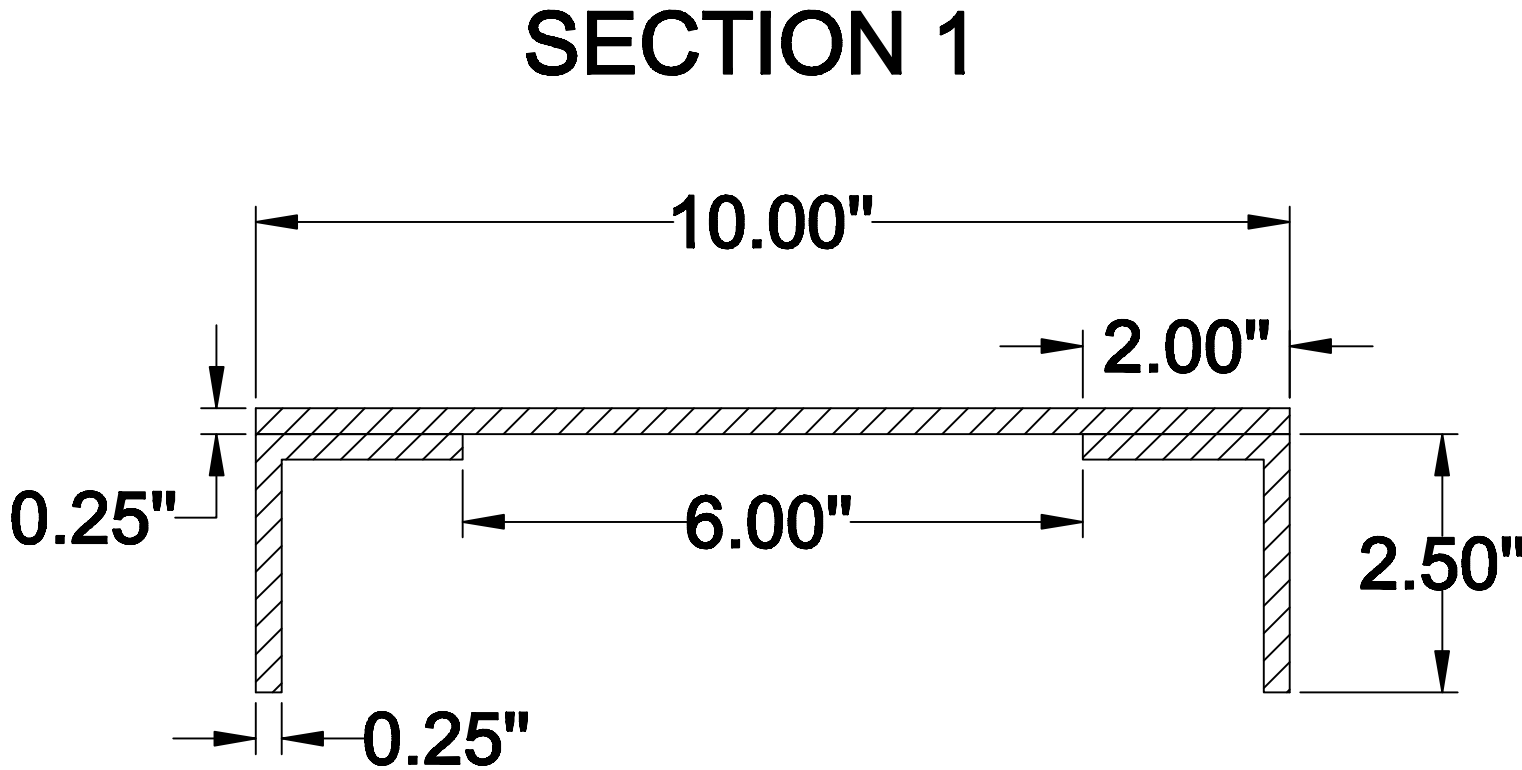
TRUSS SIDE VIEW

SCALE 1" = 20"



CROSS SECTIONS

SCALE 1" = 2"



Note: The angles shown in section two are joined by varying lattice and plate patterns.

UMASS Amherst	Southern Vermont 1906 Bridge - 1 of 2
	Dr. Arwade & Dr. Lutenegger
	University of Massachusetts Amherst
	17 July 2008
	Drawing by Ryan Mones