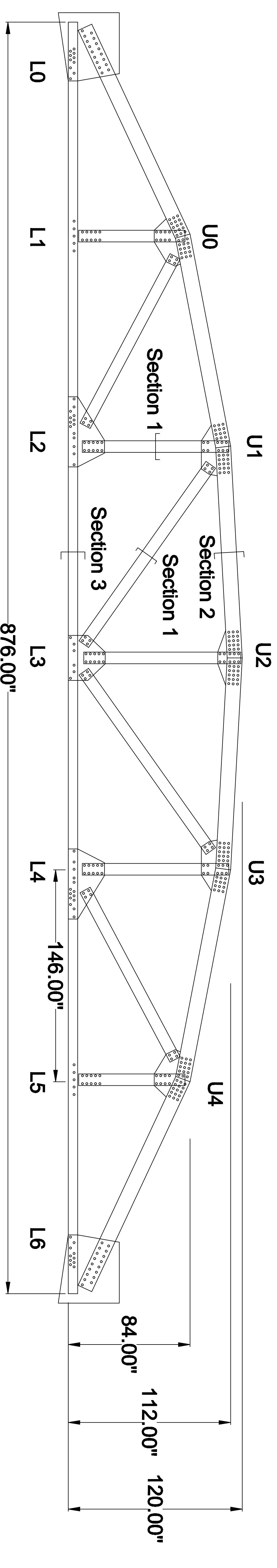


TRUSS SIDE VIEW

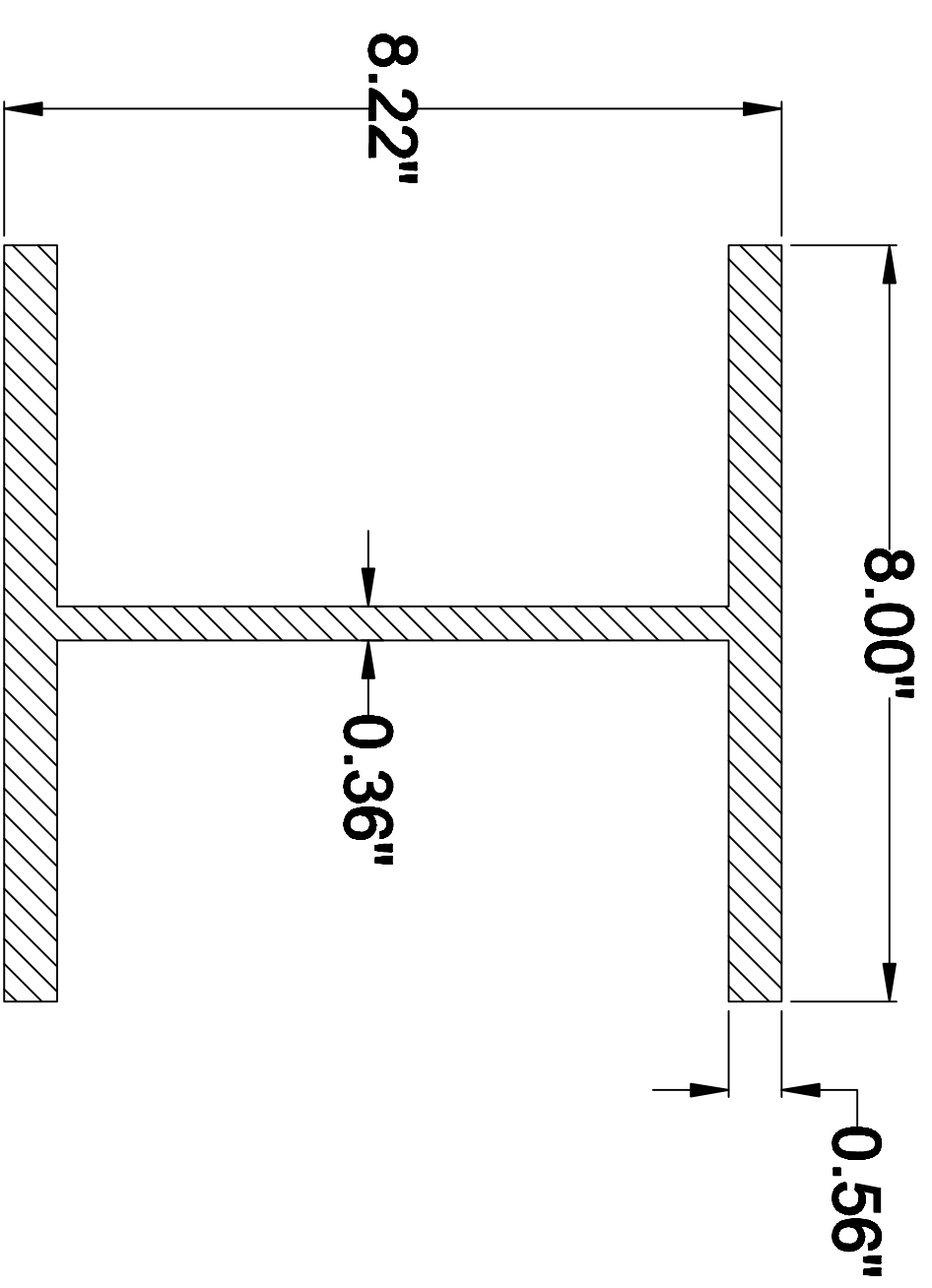
SCALE: 1" = 40"



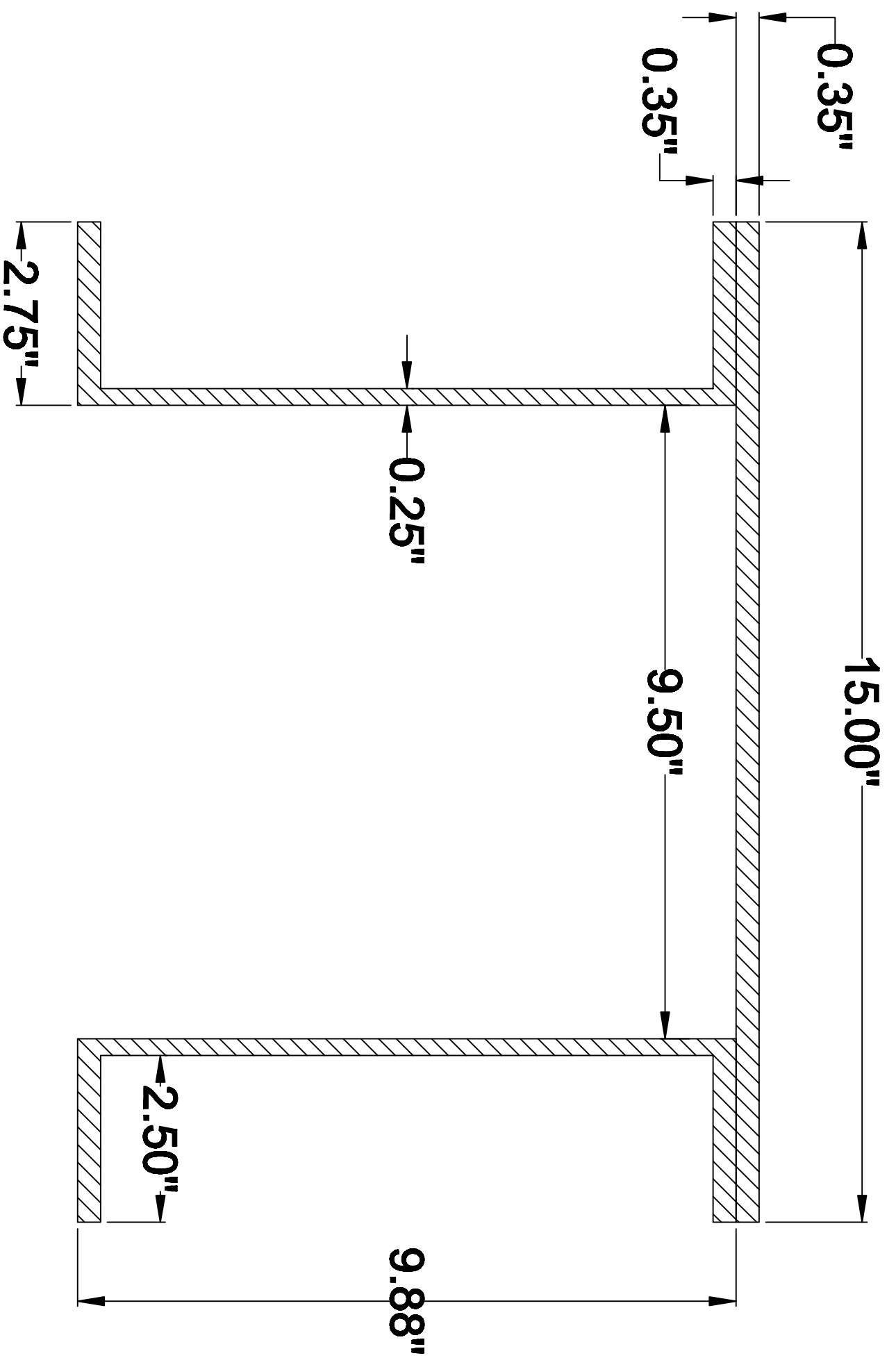
TRUSS CROSS SECTIONS

SCALE: 1" = 2"

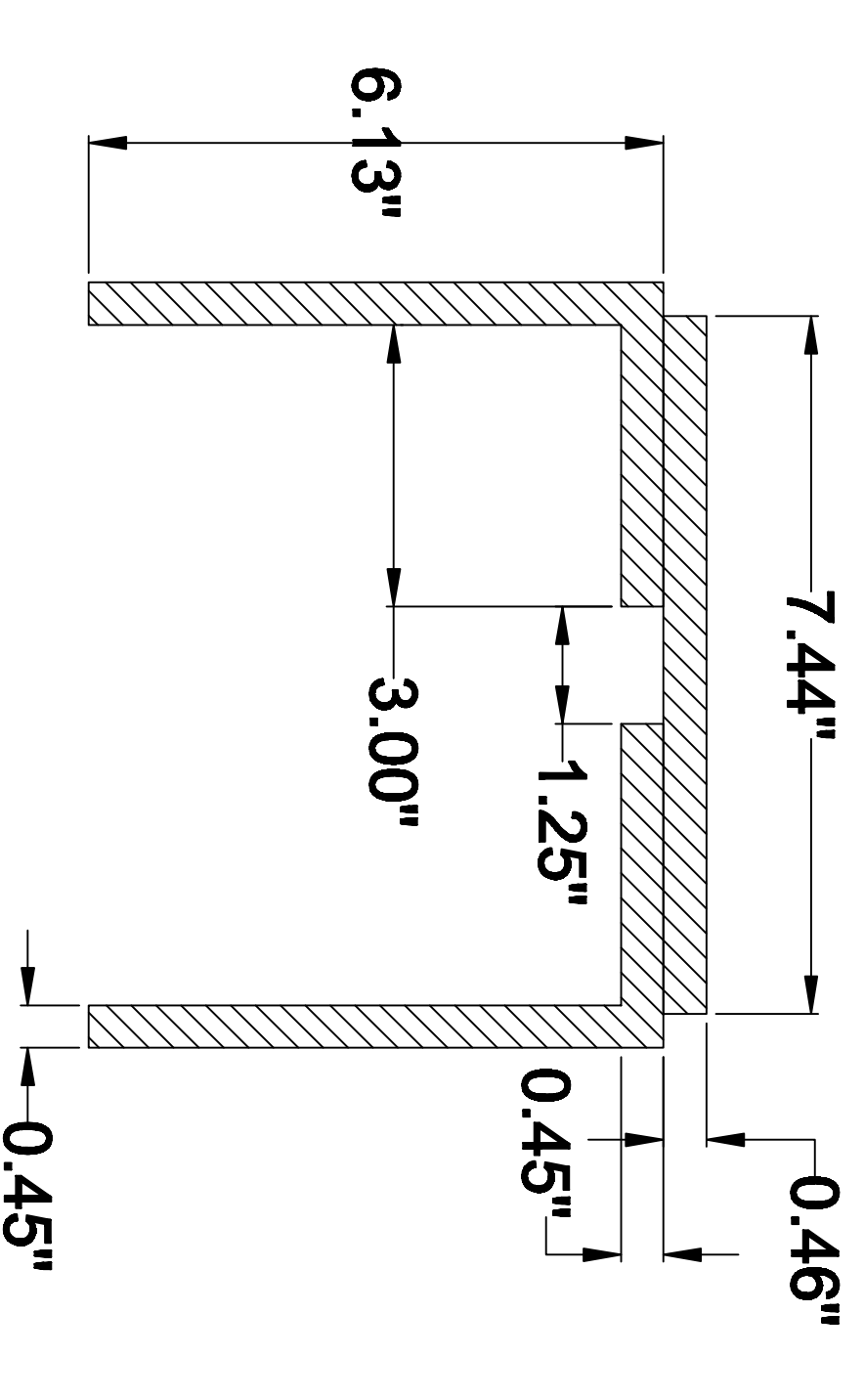
Section 1



Section 2



Section 3



UMASS
Amherst

Bridge Three - 1 of 2
Dr. Arwade & Dr. Lutenegeger
University of Massachusetts Amherst
17 July 2008
Drawing by Ryan Mones